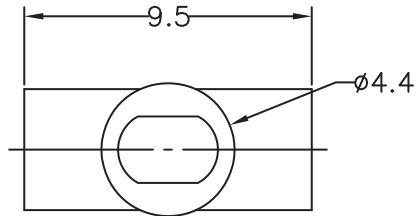
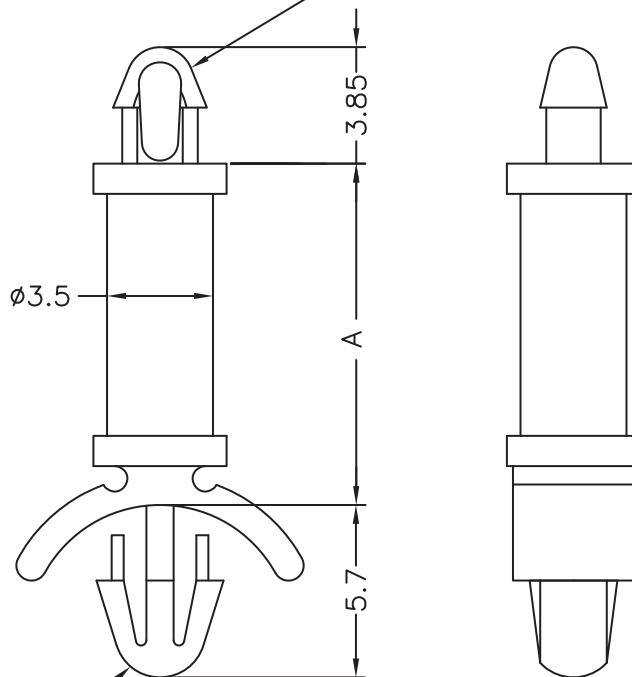


DIM.	TOL
5mm DOWN	±0.2
5~20mm	±0.3
20~40mm	±0.4
40~60mm	±0.5
60~100mm	±0.8
100mm UP	±1.0

REVISIONS			
REV	DESCRIPTION	DATE	BY



HOLE IN P.C.B $\phi 2.5$
P.C.B THICKNESS 1.6



PART NO.	A
8384AA00	3.2
8385AA00	4.8
8386AA00	6.4
8387AA00	7.9
8388AA00	9.5
8389AA00	11.1
8390AA00	12.7
8391AA00	14.3
8392AA00	15.9

HOLE IN CHASSIS: $\phi 3 \sim \phi 3.2$
CHASSIS THICKNESS: 0.8~2.0



TITLE DUAL LOCKING P.C.B. SPACER	
MATERIAL PA66 V2 UL 94	DATE 17/05/2011
COLOR NATURAL	DRAWN D.C.
PART NUMBER SEE TABLE	CHECK
DRAWING NUMBER 11.05.17.8384.0.E	APPROVED
SIZE A4	UNLESS OTHERWISE SPECIFIED TOLERANCE SEE ABOVE
SCALE NTS	
UNIT mm.	
REV A	