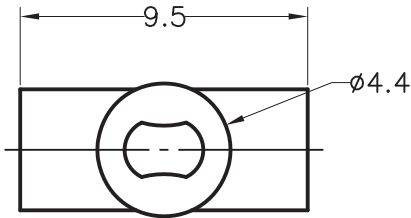
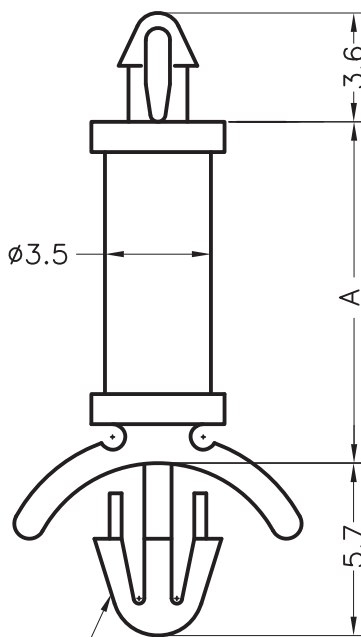


DIM.	TOL
5mm DOWN	±0.2
5~20mm	±0.3
20~40mm	±0.4
40~60mm	±0.5
60~100mm	±0.8
100mm UP	±1.0

REVISIONS			
REV	DESCRIPTION	DATE	BY



HOLE IN P.C.B ø2.0
P.C.B THICKNESS 1.6



PART NO.	A
8376AA00	3.2
8377AA00	4.8
8378AA00	6.4
8379AA00	7.9
8380AA00	9.5
8381AA00	11.1
8382AA00	12.7
8383AA00	14.3

HOLE IN CHASSIS: ø3~ø3.2
CHASSIS THICKNESS: 0.8~2.0



TITLE DUAL LOCKING P.C.B. SPACER			
MATERIAL PA66 V2 UL94		DATE 17/05/2011	
		DRAWN J.D.	
COLOR NATURAL		CHECK	
UNLESS OTHERWISE SPECIFIED TOLERANCE SEE ABOVE		APPROVED	

PART NUMBER SEE TABLE		DRAWING NUMBER 11.05.17.8376.0.E	
SIZE A4	SCALE NTS	UNIT mm.	REV A