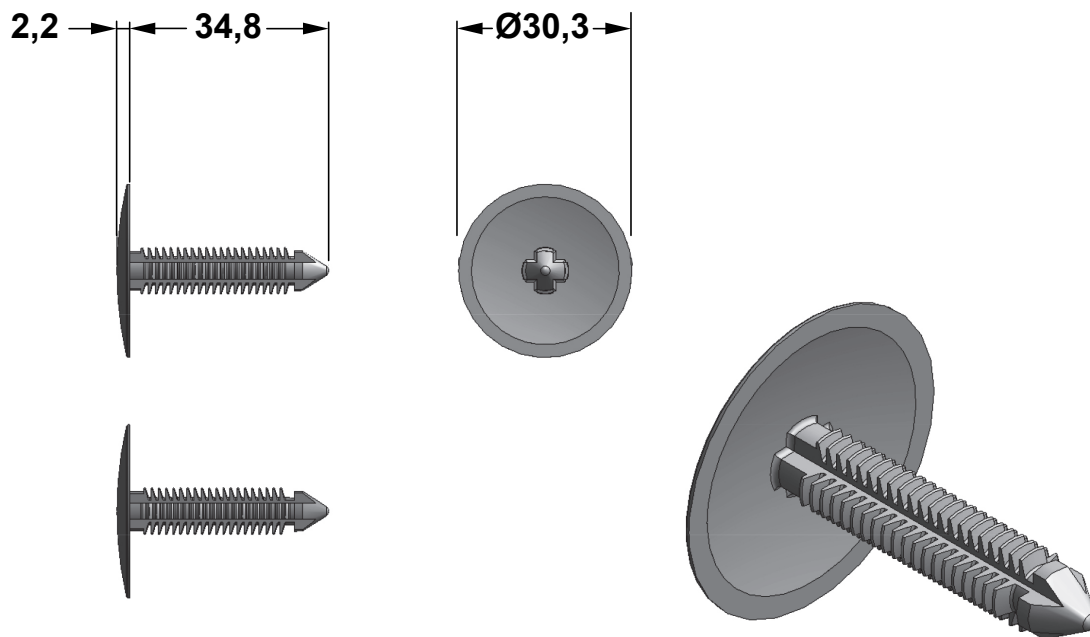



DIM.	TOL.
5mm DOWN	±0.2
5~20mm	±0.3
20~40mm	±0.4
40~60mm	±0.5
60~100mm	±0.8
100mm UP	±1.0

REVISIONS			
REV	DESCRIPTION	DATE	BY



MOUNTING HOLE Ø7,0
PANEL THICKNESS: 2,5 - 25,0

				TITLE TOOTHED CLIPS	
				MATERIAL PA 66 V2(UL94)	DATE 08/05/2020
PART NUMBER 8223AA01				DRAWN R.F.	
DRAWING NUMBER 20.05.08.8223.0.E				CHECK	
COLOR BLACK				APPROVED	
SIZE A4	SCALE NTS	UNIT mm.	REV A	UNLESS OTHERWISE SPECIFIED TOLERANCE SEE ABOVE	