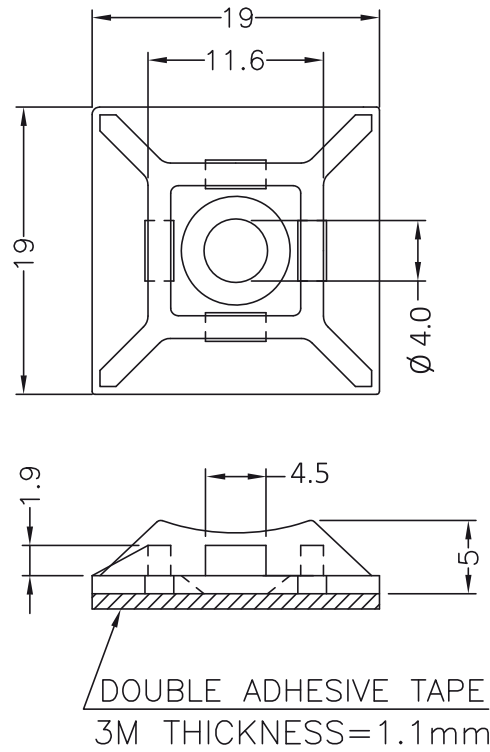



| DIM. | TOL |
|----------|------|
| 5mm DOWN | ±0.2 |
| 5~20mm | ±0.3 |
| 20~40mm | ±0.4 |
| 40~60mm | ±0.5 |
| 60~100mm | ±0.8 |
| 100mm UP | ±1.0 |

| REVISIONS | | | |
|-----------|-------------|------|----|
| REV | DESCRIPTION | DATE | BY |
| | | | |
| | | | |



- NOTE:1. All measurement does not include gate which raises under 0.3mm.
 2. The Height is not include the releasing paper and adhesive tape's thickness.
 3. The adhesive tape is cut by hand , it is normal if there is a not unified edge.

| | | | | | | | |
|---|------------|----------------|-------------------|--------------------------------------|------------------------|-------|------------|
|  | | | | TITLE | CABLE TIE MOUNT | | |
| | | | | MATERIAL | PA 66 V2(UL94) | DATE | 17/05/2011 |
| | | | | FINISH | | DRAWN | J.D. |
| PART NUMBER | 8298AA00AS | DRAWING NUMBER | 11.05.17.8298.0.E | COLOR | NATURAL | | |
| SIZE | A4 | SCALE | NTS | UNIT | mm. | | |
| | | REV | C | UNLESS OTHERWISE SPECIFIED TOLERANCE | SEE ABOVE | | |
| | | | | | CHECK | | |
| | | | | | APPROVED | | |