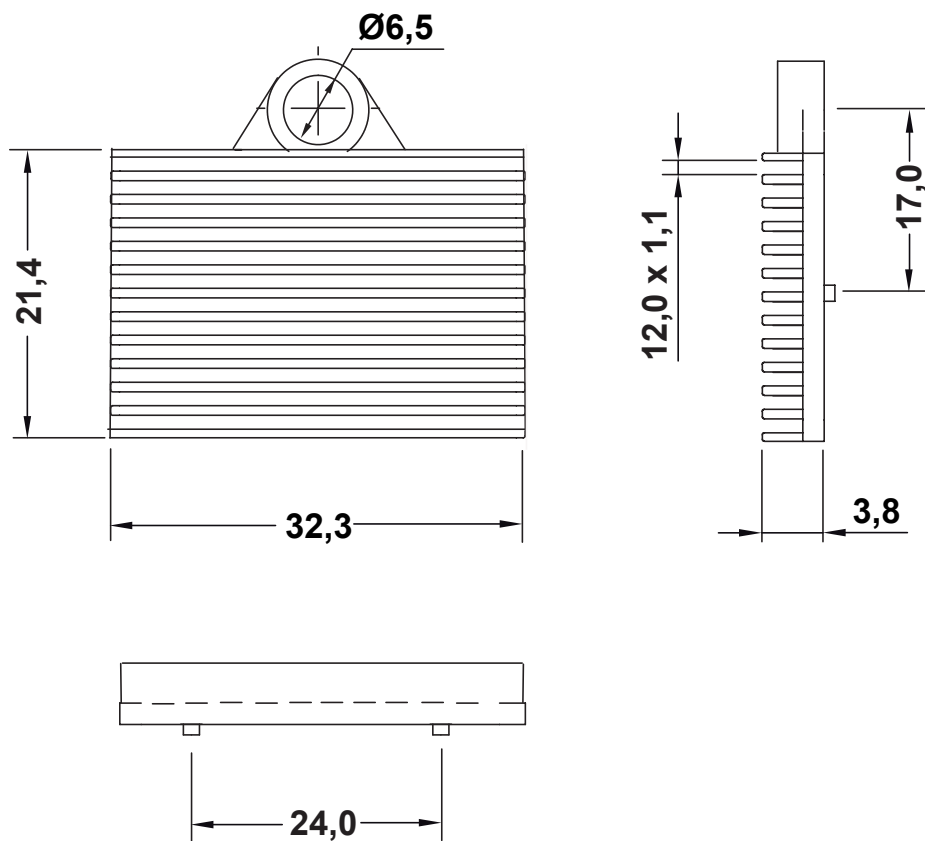


DIM.	TOL.
5mm DOWN	±0.2
5~20mm	±0.3
20~40mm	±0.4
40~60mm	±0.5
60~100mm	±0.8
100mm UP	±1.0

REVISIONS			
REV	DESCRIPTION	DATE	BY



TITLE SPLICE HOLDER		MATERIAL PA66 V2(UL94)		DATE 04/06/2018	
		COLOR BLACK		DRAWN R.F.	
PART NUMBER 8259AA01		DRAWING NUMBER 18.06.04.8259.0.E		CHECK (blank)	
SIZE A4	SCALE NTS	UNIT mm.	REV A	UNLESS OTHERWISE SPECIFIED TOLERANCE DIN ISO 2768-1	
APPROVED (blank)				APPROVED (blank)	