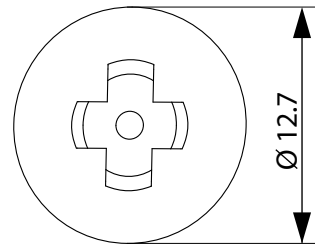
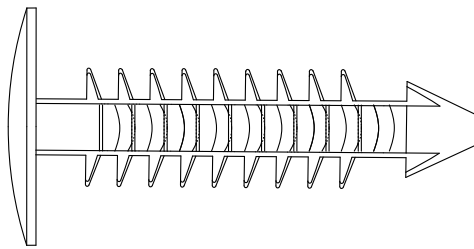
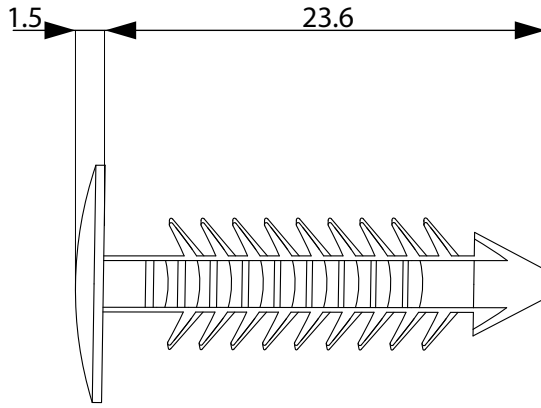


DIM.	TOL.
5mm DOWN	±0.2
5~20mm	±0.3
20~40mm	±0.4
40~60mm	±0.5
60~100mm	±0.8
100mm UP	±1.0

REVISIONS			
REV	DESCRIPTION	DATE	BY



HOLE SIZE	PANEL RANGE	
Ø 6,0	MIN. 3,5	MAX. 19,0



				TITLE		PINE TREE CLIP					
				MATERIAL		PA66		DATE		15/09/2015	
				DRAWN		S.P.		CHECK			
PART NUMBER		DRAWING NUMBER		COLOR		BLACK		APPROVED			
8216AA01		15.09.15.8216.0.E		UNLESS OTHERWISE SPECIFIED TOLERANCE		SEE ABOVE					
SIZE	SCALE	UNIT	REV								
A4	NTS	mm	A								