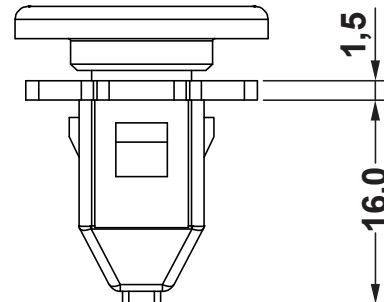
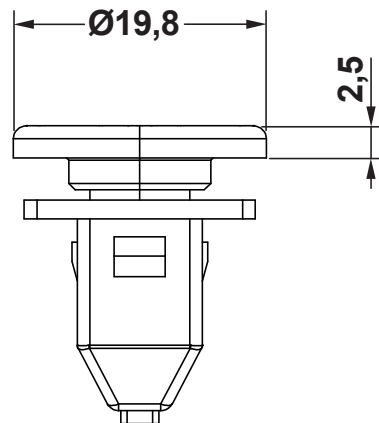
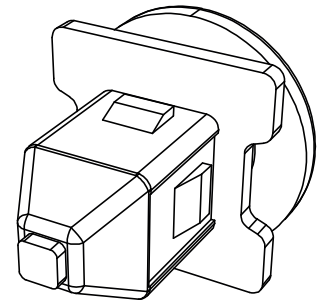
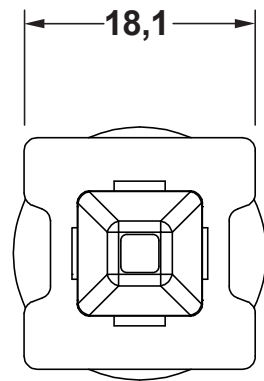


DIM.	TOL.
5mm DOWN	±0.2
5~20mm	±0.3
20~40mm	±0.4
40~60mm	±0.5
60~100mm	±0.8
100mm UP	±1.0

REVISIONS			
REV	DESCRIPTION	DATE	BY



COLOUR:
 BODY: NATURAL
 PIN: BLACK



TITLE QUARTER TURN LATCH		MATERIAL PA 66 V2(UL94)		DATE 04/03/2019	
		COLOR SEE ABOVE		DRAWN R.F.	
PART NUMBER 8094AA01		DRAWING NUMBER 19.03.04.8094.0.E		CHECK (blank)	
SIZE A4		SCALE NTS		UNLESS OTHERWISE SPECIFIED TOLERANCE SEE ABOVE	
UNIT mm.		REV A		APPROVED (blank)	