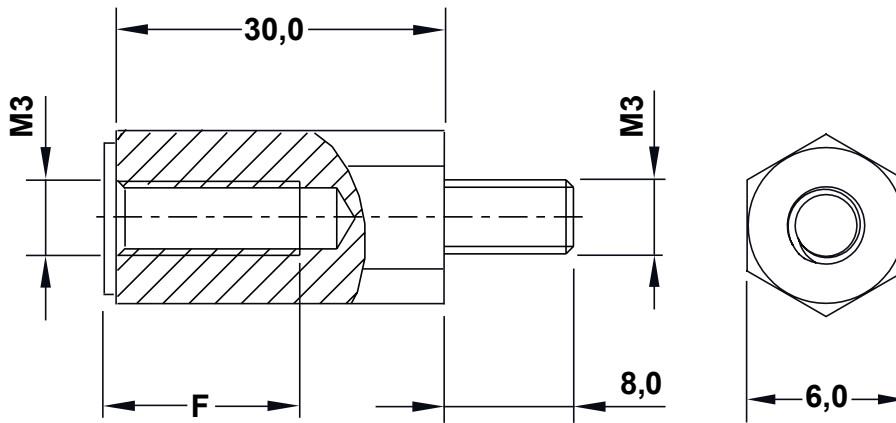


REVISIONS			
REV	DESCRIPTION	DATE	BY



**F: THREAD LENGHT MIN. 3,0 mm - MAX. 10,0 mm**

				<b>TITLE</b> <b>HEXAGONAL METRIC THREADED SPACER</b>	
				<b>MATERIAL</b> PA6.6 HB (UL94)	<b>DATE</b> 08/05/2019
<b>PART NUMBER</b> 6922AA0130.00				<b>DRAWN</b> R.F.	
<b>DRAWING NUMBER</b> 19.05.08.6922.0.E				<b>CHECK</b> (blank)	
<b>SIZE</b> A4				<b>COLOR</b> BLACK	
<b>SCALE</b> NTS				<b>UNLESS OTHERWISE SPECIFIED TOLERANCE</b> (blank)	
<b>UNIT</b> mm.				<b>APPROVED</b> (blank)	
<b>REV</b> A				(blank)	