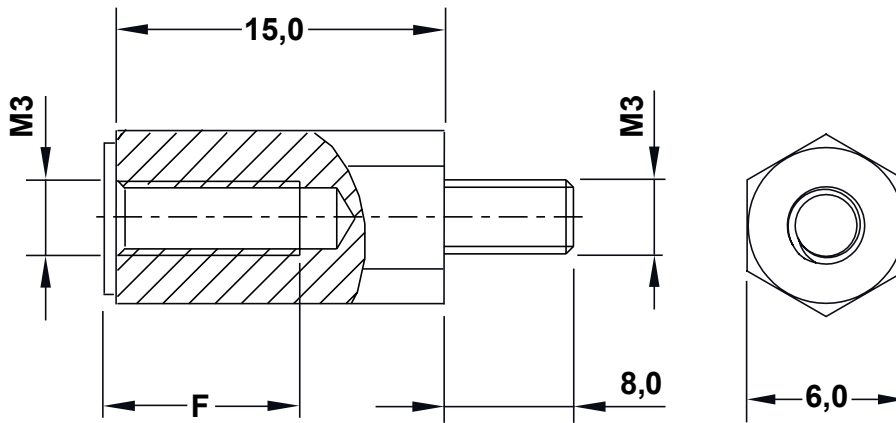


REVISIONS			
REV	DESCRIPTION	DATE	BY



**F: THREAD LENGHT MIN. 3,0 mm - MAX. 10,0 mm**

				TITLE <b>HEXAGONAL METRIC THREADED SPACER</b>	
				MATERIAL PA6.6 HB (UL94)	DATE 08/05/2019
PART NUMBER 6922AA0115.00				DRAWN R.F.	
				DRAWING NUMBER 19.05.08.6922.0.E	
SIZE A4				COLOR BLACK	
SCALE NTS				CHECK	
UNIT mm.				UNLESS OTHERWISE SPECIFIED TOLERANCE	
REV A				APPROVED	