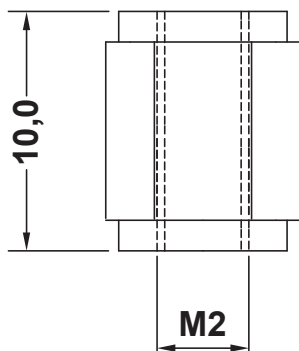
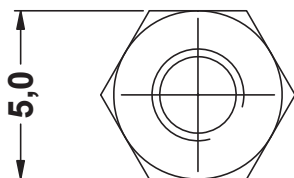
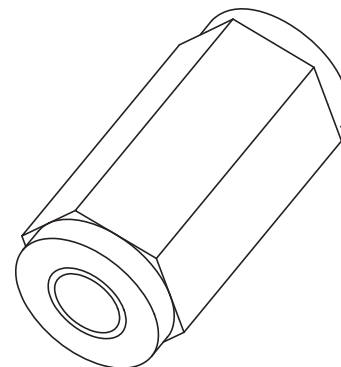



DIM.	TOL.
5mm DOWN	±0.2
5~20mm	±0.3
20~40mm	±0.4
40~60mm	±0.5
60~100mm	±0.8
100mm UP	±1.0

REVISIONS			
REV	DESCRIPTION	DATE	BY



				TITLE HEXAGONAL METRIC THREADED SPACERS			
				MATERIAL PA 6 25% GF HB(UL94)		DATE 22/01/2019	
PART NUMBER 6910BB0110.0		DRAWING NUMBER 19.01.22.6910.0.E		COLOR BLACK		CHECK UNLESS OTHERWISE SPECIFIED TOLERANCE SEE ABOVE	
SIZE A4	SCALE NTS	UNIT mm.	REV A	APPROVED			