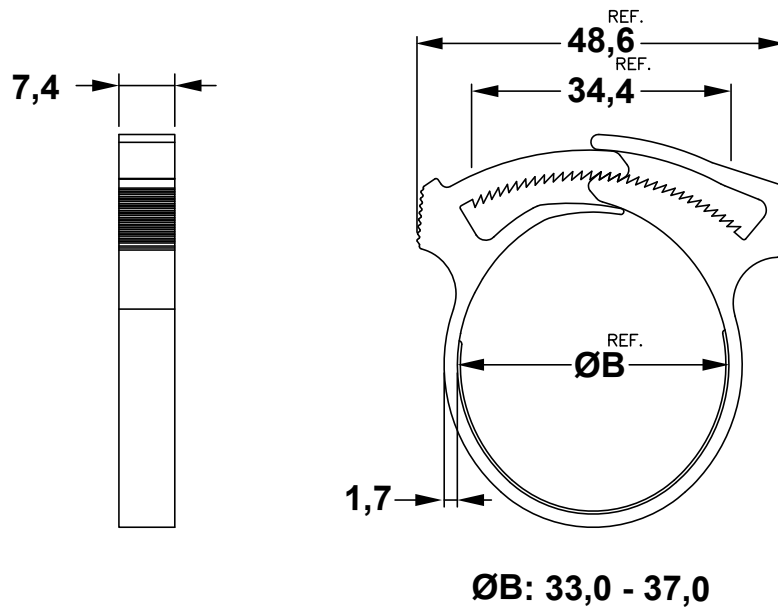


DIM.	TOL
L ≤ 10	±0.2
10 < L ≤ 30	±0.3
30 < L ≤ 50	±0.5
50 < L ≤ 100	±0.7
100 < L ≤ 250	±1.2
ABOVE 250	±1.5

REVISIONS			
REV	DESCRIPTION	DATE	BY



<b>TITLE</b> <b>CLIP HOSE CLAMP</b>						
				<b>MATERIAL</b> POM (UL) 94HB		24/04/2020
<b>FINISH</b>		<b>DRAWN</b> R.F.				
<b>COLOR</b> NATURAL		<b>CHECK</b>				
<b>PART NUMBER</b> 6876GA00		<b>DRAWING NUMBER</b> 20.04.24.6876.E.0				
<b>SIZE</b> A4	<b>SCALE</b> 2:1	<b>UNIT</b> mm	<b>REV</b>	<b>UNLESS OTHERWISE SPECIFIED TOLERANCE</b> SEE ABOVE		<b>APPROVED</b>