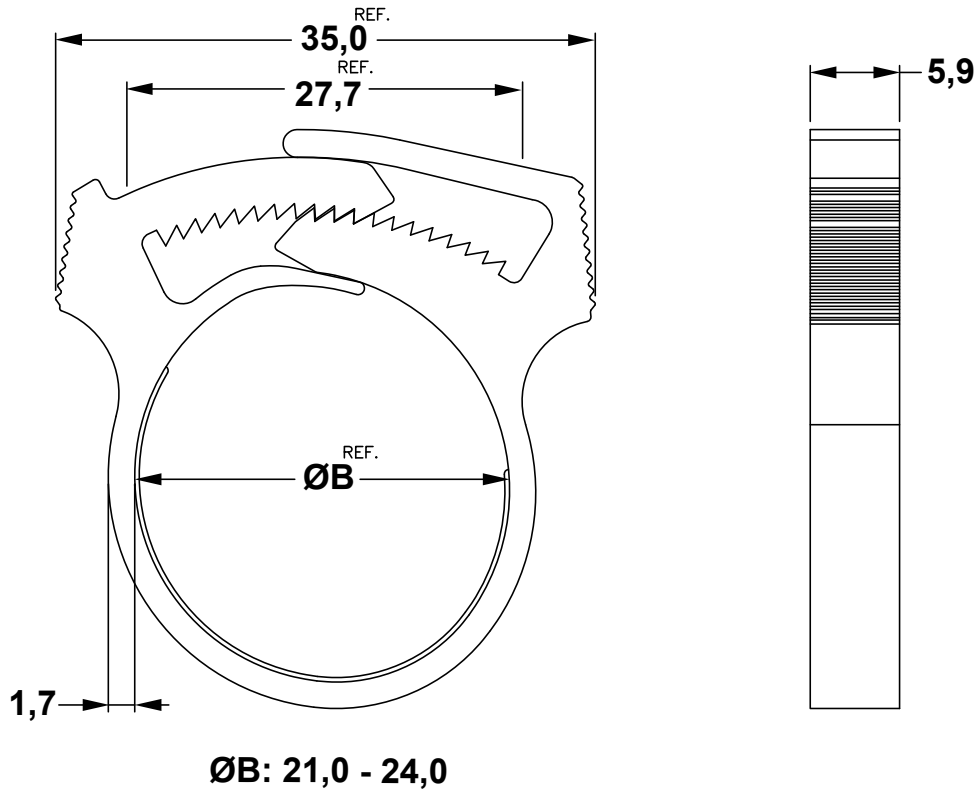



DIM.	TOL
L ≤ 10	±0.2
10 < L ≤ 30	±0.3
30 < L ≤ 50	±0.5
50 < L ≤ 100	±0.7
100 < L ≤ 250	±1.2
ABOVE 250	±1.5

REVISIONS			
REV	DESCRIPTION	DATE	BY



				TITLE <b>CLIP HOSE CLAMP</b>	
				MATERIAL POM HB(UL94)	24/04/2020
PART NUMBER <b>6873GA00</b>				DRAWING NUMBER <b>20.04.24.6873.E.0</b>	
FINISH				DRAWN R.F.	
COLOR NATURAL				CHECK	
SIZE A4				UNLESS OTHERWISE SPECIFIED TOLERANCE SEE ABOVE	
SCALE 2:1		UNIT mm		APPROVED	
REV					