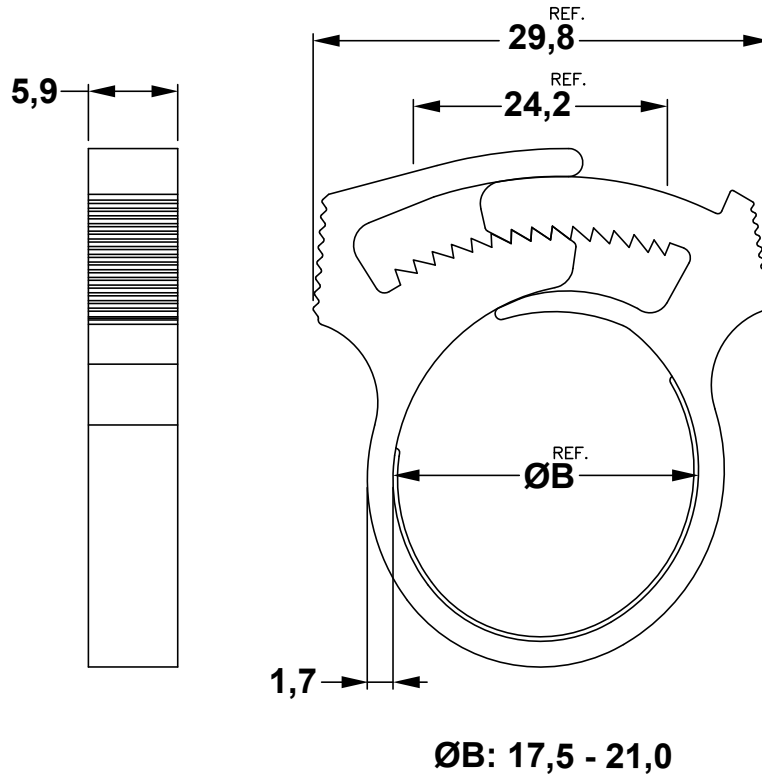


DIM.	TOL
L ≤ 10	±0.2
10 < L ≤ 30	±0.3
30 < L ≤ 50	±0.5
50 < L ≤ 100	±0.7
100 < L ≤ 250	±1.2
ABOVE 250	±1.5

REVISIONS			
REV	DESCRIPTION	DATE	BY



<b>fastpoint</b>				TITLE		<b>CLIP HOSE CLAMP</b>	
				MATERIAL		POM HB(UL94)	
PART NUMBER		DRAWING NUMBER		FINISH		DRAWN	
6871GA00		20.04.24.6871.E.0		NATURAL		R.F.	
SIZE	SCALE	UNIT	REV	UNLESS OTHERWISE SPECIFIED TOLERANCE		APPROVED	
A4	2:1	mm		SEE ABOVE			