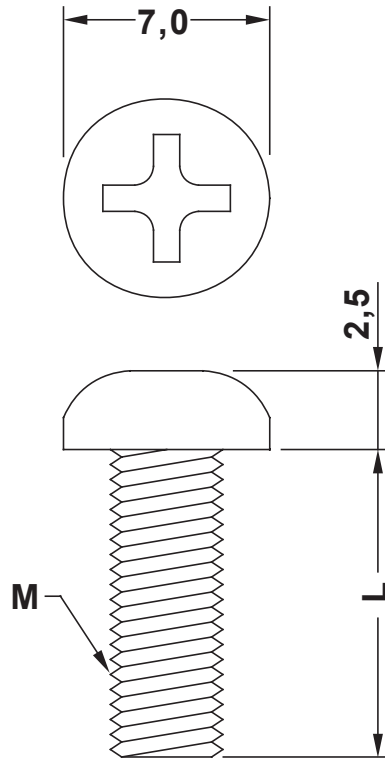



DIM.	TOL.
5mm DOWN	±0.2
5~20mm	±0.3
20~40mm	±0.4
40~60mm	±0.5
60~100mm	±0.8
100mm UP	±1.0

REVISIONS			
REV	DESCRIPTION	DATE	BY



P/N	M	L
6719AA00	M4x0,7	6,0/8,0/10,0/12,0/14,0/16,0/20,0/25,0/30,0/35,0

Please add the wished lengths to the final part of the code for your order.
 Order example: 6719AA0003.00 for the 6719AA00 3,0 mm. length screw.

				TITLE CROSS-SLOTTED SCREWS	
				MATERIAL PA66 V2(UL94)	DATE 16/04/2018
PART NUMBER SEE TABLE				DRAWN R.F.	
DRAWING NUMBER 18.04.16.6719.0.E				CHECK	
SIZE A4	SCALE NTS	UNIT mm.	REV A	COLOR NATURAL	APPROVED
UNLESS OTHERWISE SPECIFIED TOLERANCE				SEE ABOVE	