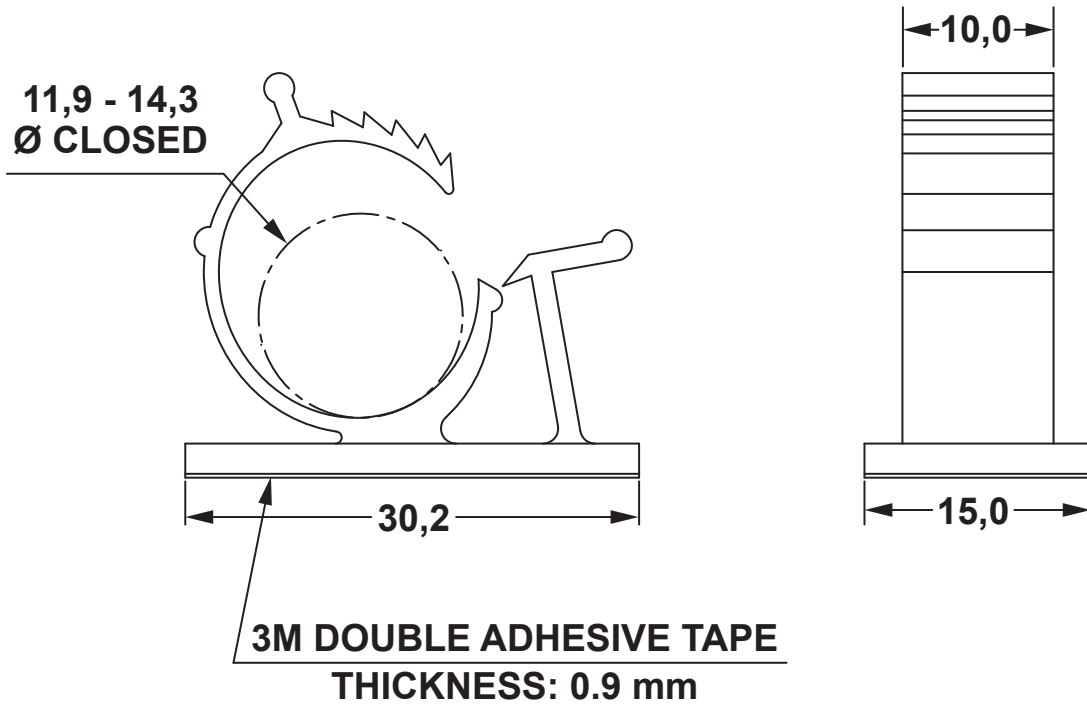



DIM.	TOL
5mm DOWN	±0.2
5~20mm	±0.3
20~40mm	±0.4
40~60mm	±0.5
60~100mm	±0.8
100mm UP	±1.0

REVISIONS			
REV	DESCRIPTION	DATE	BY



				TITLE SELF ADHESIVE WIRE CLIP-LATERAL CLOSURE	
				MATERIAL PA66 V2(UL94)	DATE 31/01/2018
PART NUMBER 6407AA00AS				DRAWN R.F.	
				DRAWING NUMBER 18.01.31.6407.0.E	
SIZEF A4				COLOR NATURAL	
				CHECK	
SCALE 2:1				UNLESS OTHERWISE SPECIFIED TOLERANCE SEE ABOVE	
				APPROVED	
UNIT mm.				REV B	