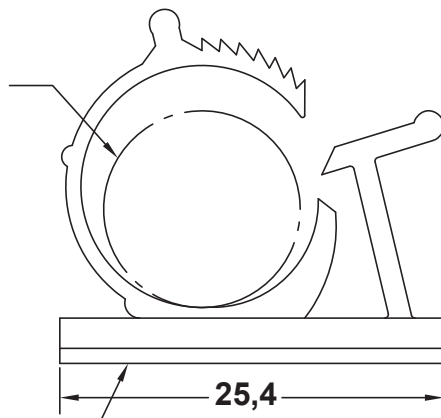


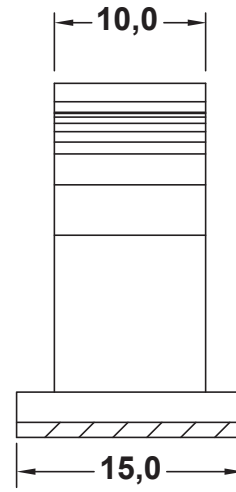
DIM.	TOL
5mm DOWN	±0.2
5~20mm	±0.3
20~40mm	±0.4
40~60mm	±0.5
60~100mm	±0.8
100mm UP	±1.0

REVISIONS			
REV	DESCRIPTION	DATE	BY

Ø11,0 - Ø13,3
(CLOSE)



3M DOUBLE ADHESIVE TAPE
THICKNESS: 1.1mm



The height is not included thickness of adhesive tape and separate paper



TITLE
SELF ADHESIVE WIRE CLIP-LATERAL LOCKING

MATERIAL
PA66 V2(UL94)

DATE
04/12/2018

FINISH

DRAWN
R.F.

PART NUMBER
6406AA00AS

DRAWING NUMBER
18.12.04.6406.0.E

COLOR
NATURAL

CHECK

SIZE
A4

SCALE
NTS

UNIT
mm.

REV
B

UNLESS OTHERWISE SPECIFIED
TOLERANCE
SEE ABOVE

APPROVED