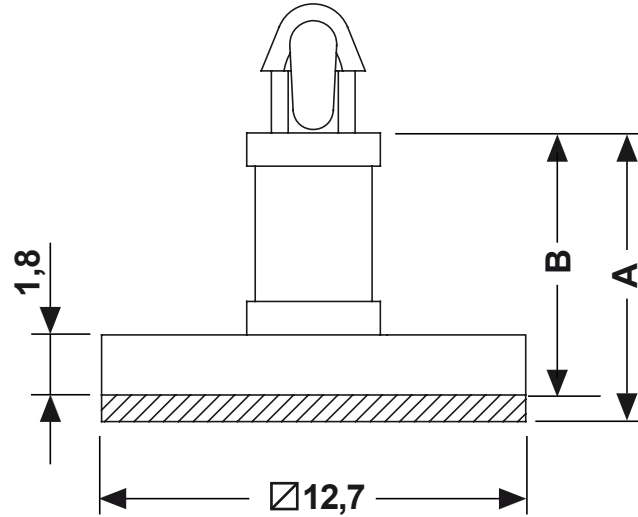


DIM.	TOL
5mm DOWN	±0.2
5~20mm	±0.3
20~40mm	±0.4
40~60mm	±0.5
60~100mm	±0.8
100mm UP	±1.0

REVISIONS			
REV	DESCRIPTION	DATE	BY



**HOLE: Ø2,5**  
**PANEL THICKNESS: 1.6**

P/N	A	B
6367AA00AS	4,8	4,0
6368AA00AS	6,4	5,6
6369AA00AS	8,0	7,2
6370AA00AS	9,5	8,7
6371AA00AS	11,1	10,3
6372AA00AS	12,7	11,9
6373AA00AS	15,9	15,1
6374AA00AS	19,1	18,3



<b>fastpoint</b>		TITLE <b>SELF-ADHESIVE P.C.B. SPACER</b>	
		MATERIAL PA6.6 V2(UL94)	DATE 23/02/2018
		ADESIVO	DRAWN R.F.
PART NUMBER SEE TABLE	DRAWING NUMBER 18.02.23.63XX.0.E	COLOR NATURAL	CHECK
SIZE A4	SCALE NTS	UNIT mm	REV B
UNLESS OTHERWISE SPECIFIED TOLERANCE SEE ABOVE		APPROVED	