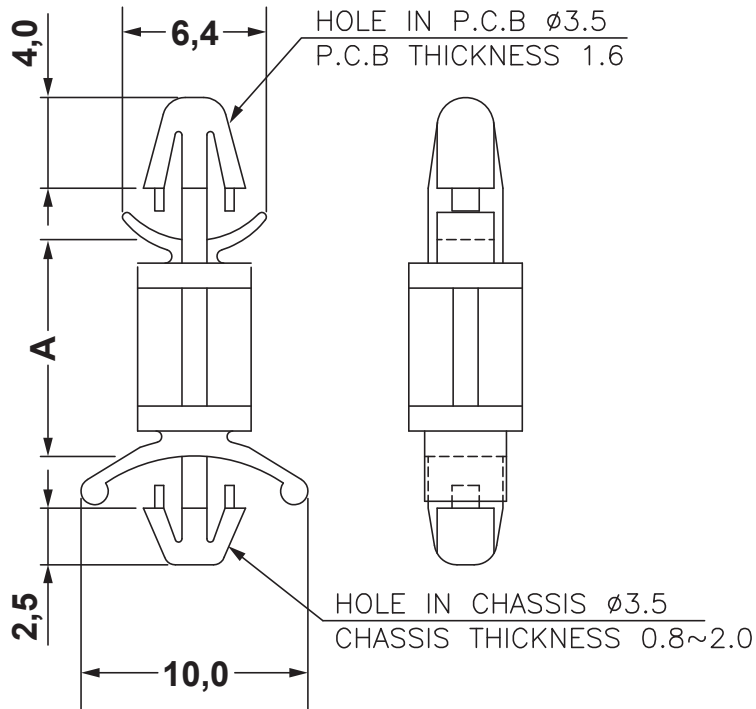



DIM.	TOL
5mm DOWN	±0.2
5~20mm	±0.3
20~40mm	±0.4
40~60mm	±0.5
60~100mm	±0.8
100mm UP	±1.0

REVISIONS			
REV	DESCRIPTION	DATE	BY



PART NO.	A
6339AA00	3.2
6340AA00	4.0
6341AA00	4.8
6342AA00	6.4
6343AA00	7.0
6344AA00	8.0
6345AA00	9.6
6346AA00	11.2
6347AA00	12.7
6348AA00	14.0
6349AA00	16.0
6350AA00	18.0
6351AA00	19.1

				TITLE DUAL LOCKING P.C.B. SPACER	
				MATERIAL PA66 V2(UL94)	DATE 22/02/2018
PART NUMBER SEE TABLE				DRAWN R.F.	
				DRAWING NUMBER 11.05.17.63XX.0.E	
SIZE A4				COLOR NATURAL	
				CHECK	
SCALE NTS				UNLESS OTHERWISE SPECIFIED TOLERANCE SEE ABOVE	
				APPROVED	
UNIT mm.		REV A			