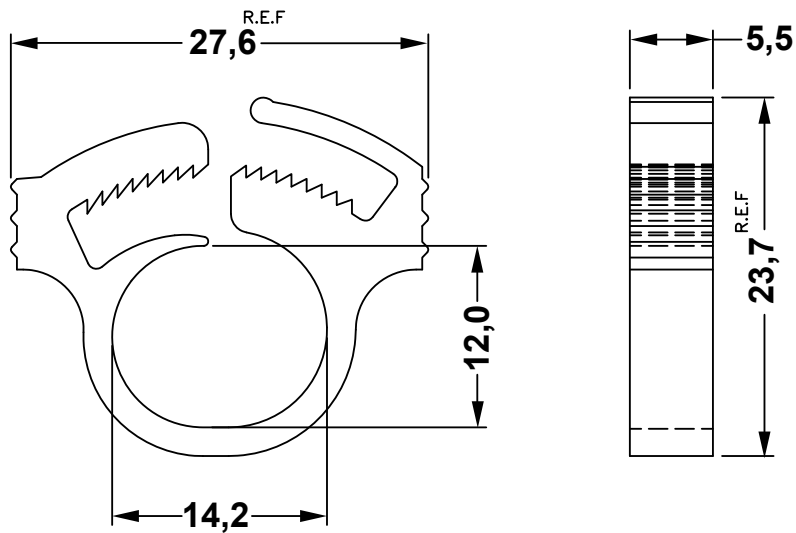



DIM.	TOL
L < 5	±0.2
5 < L ≤ 20	±0.3
20 < L ≤ 40	±0.5
40 < L ≤ 60	±0.7
60 < L ≤ 100	±0.8
ABOVE 100	±1.0

REVISIONS			
REV	DESCRIPTION	DATE	BY



CABLE BUNDLE Ø11,0 - 12,0

				TITLE CLIP HOSE CLAMP	
				MATERIAL POM HB(UL94)	24/04/2020
PART NUMBER 6276GA00				DRAWING NUMBER 20.04.24.6276.E.0	
FINISH				DRAWN R.F.	
COLOR NATURAL				CHECK	
SIZE A4				UNLESS OTHERWISE SPECIFIED TOLERANCE SEE ABOVE	
SCALE 2:1		UNIT mm		APPROVED	
REV					