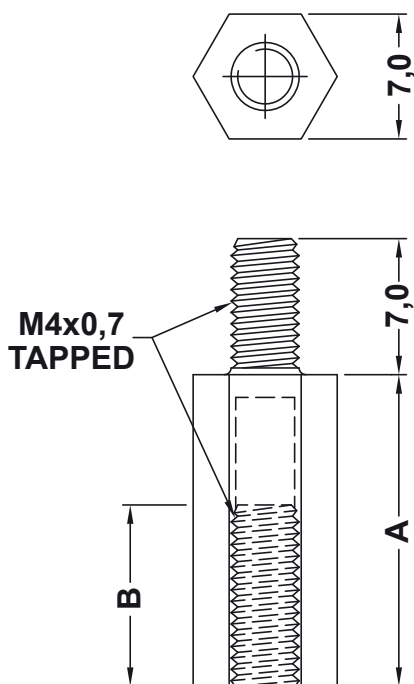


DIM.	TOL
5mm DOWN	±0.2
5~20mm	±0.3
20~40mm	±0.4
40~60mm	±0.5
60~100mm	±0.8
100mm UP	±1.0

REVISIONS			
REV	DESCRIPTION	DATE	BY




P/N	A	B
6259AA00	6,0	4,0
6260AA00	8,0	6,0
6261AA00	10,0	6,0
6262AA00	12,0	6,0
6263AA00	14,0	6,0
6264AA00	16,0	7,0
6265AA00	20,0	8,0
6266AA00	25,0	8,0
6267AA00	30,0	8,0
6268AA00	35,0	8,0
6269AA00	40,0	8,0
6270AA00	45,0	8,0

NOTE:(1)Inner thread was done by 2nd process taping.

Some slight nylon burrs remained inslide the thread hole is a normal phenomenon.

(2)All measurement does not include gate which raises under 0.3mm.

				TITLE THREADED SPACER	
				MATERIAL PA66 V2(UL94)	DATE 05.04.2017
				FINISH	DRAWN R.F.
PART NUMBER SEE TABLE		DRAWING NUMBER 17.04.05.XXXX.0.E		COLOR NATURAL	CHECK
SIZE A4	SCALE NTS	UNIT mm.	REV D	UNLESS OTHERWISE SPECIFIED TOLERANCE SEE ABOVE	APPROVED