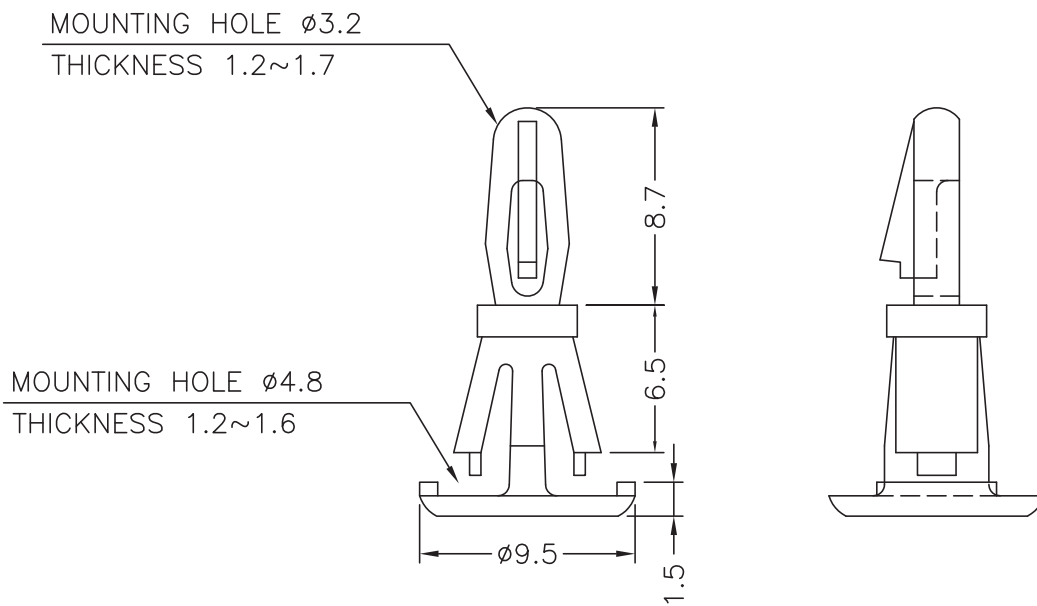



DIM.	TOL
5mm DOWN	±0.2
5~20mm	±0.3
20~40mm	±0.4
40~60mm	±0.5
60~100mm	±0.8
100mm UP	±1.0

REVISIONS			
REV	DESCRIPTION	DATE	BY



NOTE: All measurement does not include gate which raises under 0.3 mm.

				TITLE SPACER SUPPORT	
				MATERIAL NYLON 66 UL94V - 2	DATE 07/09/2015
PART NUMBER 6240AA00				DRAWING NUMBER 15.09.07.6240.0.E	
				COLOR NATURAL	CHECK
SIZE A4	SCALE 3:1	UNIT mm.	REV A	UNLESS OTHERWISE SPECIFIED TOLERANCE SEE ABOVE	APPROVED