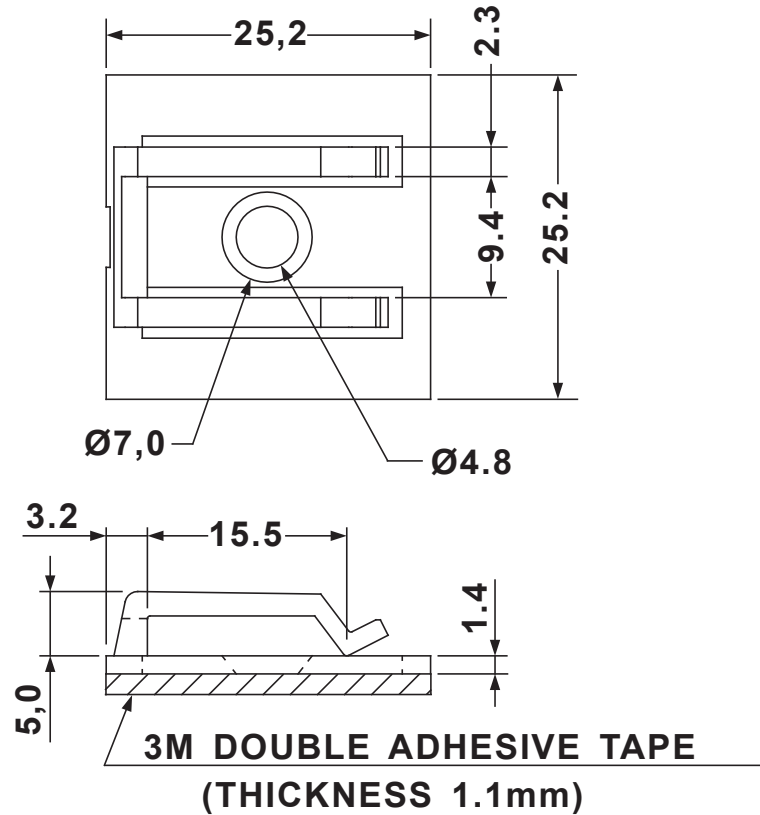


DIM.	TOL.
5mm DOWN	±0.2
5~20mm	±0.3
20~40mm	±0.4
40~60mm	±0.5
60~100mm	±0.8
100mm UP	±1.0

REVISIONS			
REV	DESCRIPTION	DATE	BY



REV.	DESCRIPTION	DATE	TITLE: SELF ADHESIVE WIRE CLIPS	FILE: 08/01/18 SHEET: 1 OF 1	DwN: DT: 18.01.08.6238.E.0	DWG UNIT: MM	ChkD: Part Number: 6238AA00AS
	MATERIAL: PA6.6 V2(UL94) COLOUR: NATURAL		TOLLERANCES UNLESS NOTED	SCALE: NTS			
			SEE ABOVE				

