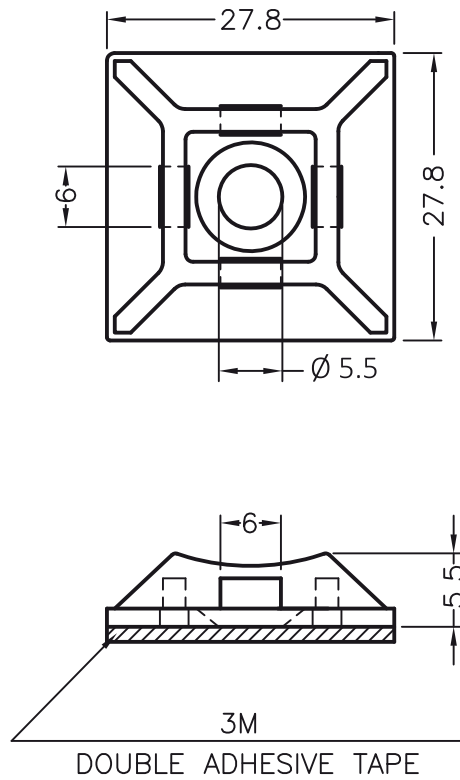



DIM.	TOL
5mm DOWN	±0.2
5~20mm	±0.3
20~40mm	±0.4
40~60mm	±0.5
60~100mm	±0.8
100mm UP	±1.0

REVISIONS			
REV	DESCRIPTION	DATE	BY



NOTE: The Height is not include the releasing paper and adhesive tape's thickness.

				TITLE <b>CABLE TIE MOUNT</b>	
				MATERIAL PA 66 V2(UL94)	DATE 17/05/2011
				FINISH	DRAWN D.C.
				COLOR NATURAL	CHECK
PART NUMBER 6136AA00AS		DRAWING NUMBER 11.05.17.6136.0.E		UNLESS OTHERWISE SPECIFIED TOLERANCE SEE ABOVE	
SIZE A4	SCALE NTS	UNIT mm.	REV C	APPROVED	