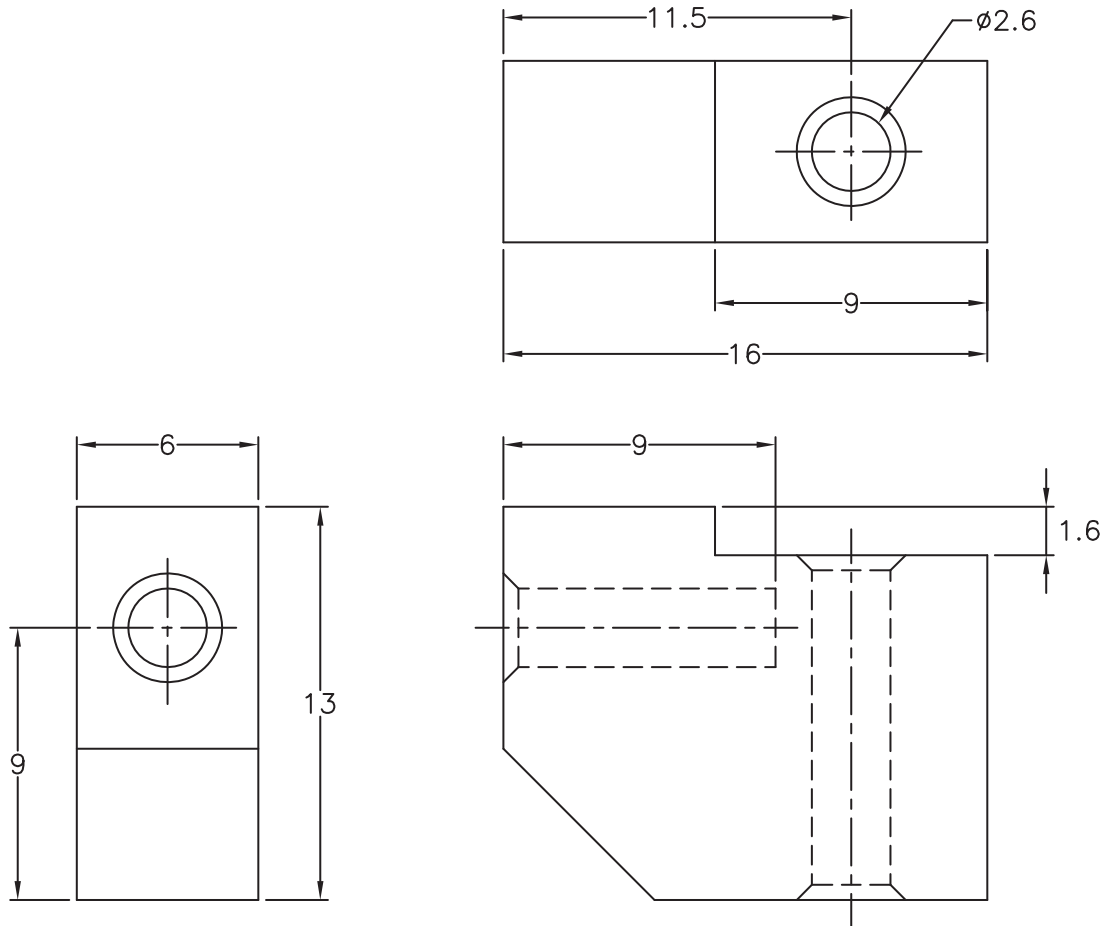


DIM.	TOL
5mm DOWN	±0.2
5~20mm	±0.3
20~40mm	±0.4
40~60mm	±0.5
60~100mm	±0.8
100mm UP	±1.0

REVISIONS			
REV	DESCRIPTION	DATE	BY



PART NO.	MATERIAL
6113AA00	NYLON 66 UL94V-2
6113AR00	NYLON 66 UL94V-0



TITLE			
MOUNTING SUPPORT			
MATERIAL		DATE	
PA66 V2 UL94		17/05/2011	
		DRAWN	
		J.D.	
COLOR		CHECK	
NATURAL			
UNLESS OTHERWISE SPECIFIED TOLERANCE		APPROVED	
SEE ABOVE			

PART NUMBER		DRAWING NUMBER	
SEE ABOVE		11.05.17.6113.0.E	
SIZE	SCALE	UNIT	REV
A4	4:1	mm.	A