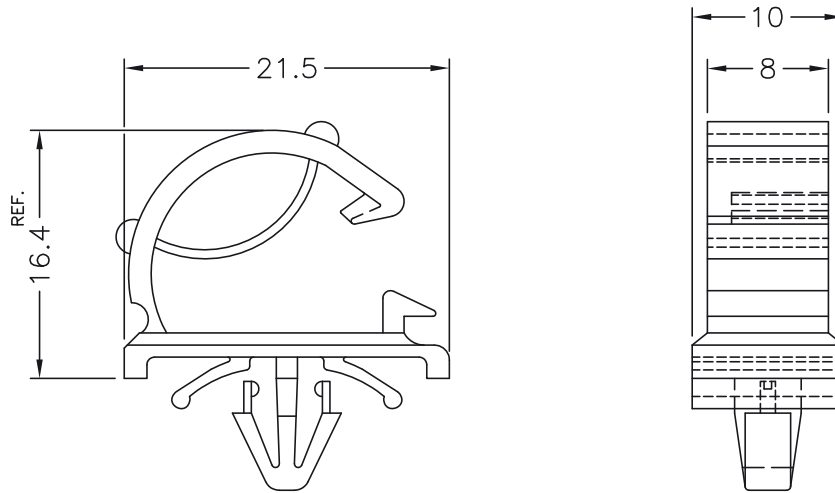



DIM.	TOL
5mm DOWN	±0.2
5~20mm	±0.3
20~40mm	±0.4
40~60mm	±0.5
60~100mm	±0.8
100mm UP	±1.0

REVISIONS			
REV	DESCRIPTION	DATE	BY



HOLE IN CHASSIS $\phi 4.8$
 CHASSIS THICKNESS 0.8~2.5

				TITLE	WIRE CLIP		
				MATERIAL	PA66 V2(UL94)	DATE	07/12/2018
PART NUMBER 6062AA00				FINISH	DRAWN	R.F.	
				COLOR	NATURAL	CHECK	
DRAWING NUMBER		11.05.17.6062.0.E		UNLESS OTHERWISE SPECIFIED TOLERANCE	SEE ABOVE	APPROVED	
SIZE	SCALE	UNIT	REV				
A4	2:1	mm.	C				