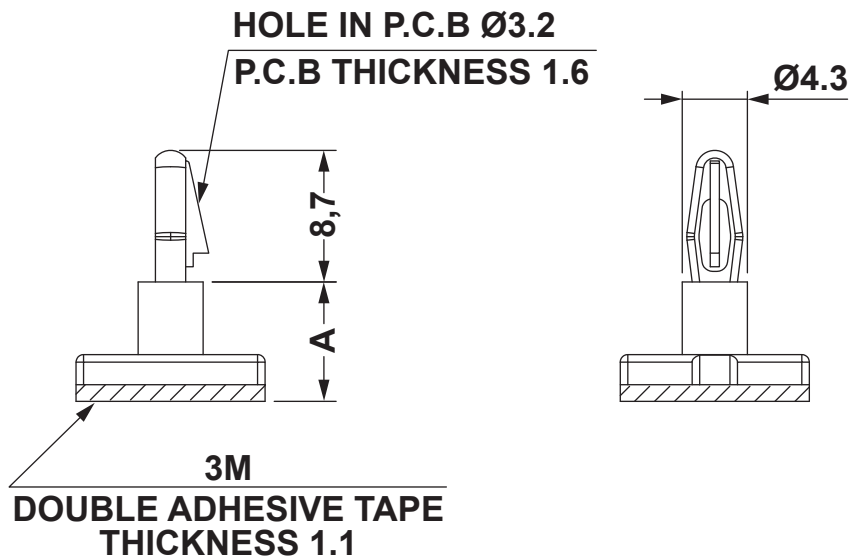
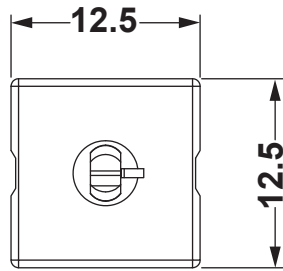


DIM.	TOL.
5mm DOWN	±0.2
5~20mm	±0.3
20~40mm	±0.4
40~60mm	±0.5
60~100mm	±0.8
100mm UP	±1.0

REVISIONS			
REV	DESCRIPTION	DATE	BY



P/N	A
6012AA00AS	4,8
6013AA00AS	6,4
8136AA00AS	7,9
6014AA00AS	8,4
8137AA00AS	9,5
8138AA00AS	11,4
8139AA00AS	12,7
6015AA00AS	15,9



fastpoint		TITLE SELF ADHESIVE P.C.B SPACER	
		MATERIAL PA66 V2(UL94)	DATE 22/02/2018
		DRAWN R.F.	
PART NUMBER SEE TABLE	DRAWING NUMBER 18.02.22.XXXX.0.E	COLOR NATURAL	CHECK
SIZE A4	SCALE NTS	UNIT mm	REV A
UNLESS OTHERWISE SPECIFIED TOLERANCE SEE ABOVE		APPROVED	