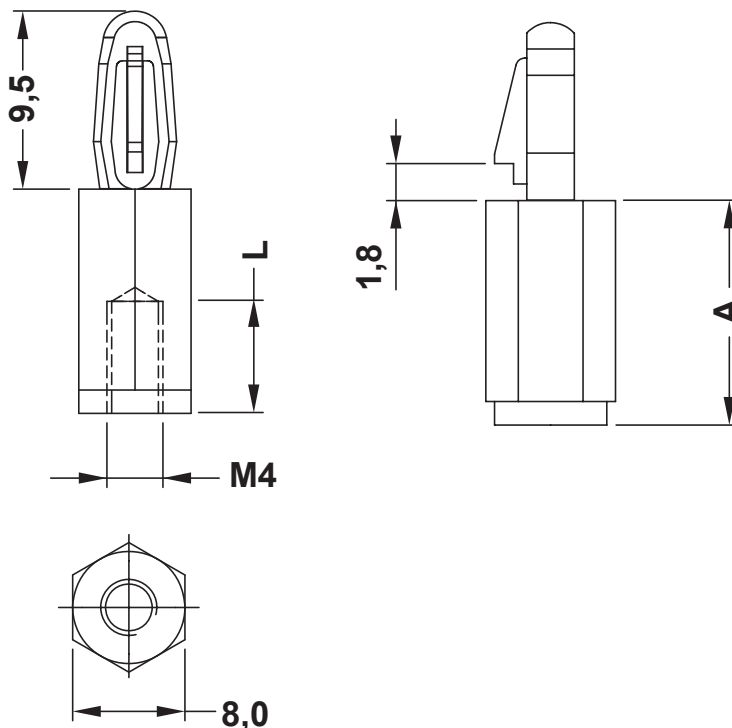



Dimensions	Tolerance
5mm DOWN	±0.2
5~20mm	±0.3
20~40mm	±0.4
40~60mm	±0.5
60~100mm	±0.8
100mm UP	±1.0

REVISIONS			
REV	DESCRIPTION	DATE	BY

MOUNTING HOLE Ø4,0



P/N	A	L	P/N	A	L	P/N	A	L	P/N	A	L
5948AA0105.0	5.0	3.0	5948AA0120.0	20.0	10.0	5948AA0135.0	35.0	10.0	5948AA0150.0	50.0	10.0
5948AA0106.0	6.0	4.0	5948AA0121.0	21.0	10.0	5948AA0136.0	36.0	10.0	5948AA0151.0	51.0	10.0
5948AA0107.0	7.0	5.0	5948AA0122.0	22.0	10.0	5948AA0137.0	37.0	10.0	5948AA0152.0	52.0	10.0
5948AA0108.0	8.0	6.0	5948AA0123.0	23.0	10.0	5948AA0138.0	38.0	10.0	5948AA0153.0	53.0	10.0
5948AA0109.0	9.0	7.0	5948AA0124.0	24.0	10.0	5948AA0139.0	39.0	10.0	5948AA0154.0	54.0	10.0
5948AA0110.0	10.0	8.0	5948AA0125.0	25.0	10.0	5948AA0140.0	40.0	10.0	5948AA0155.0	55.0	10.0
5948AA0111.0	11.0	9.0	5948AA0126.0	26.0	10.0	5948AA0141.0	41.0	10.0	5948AA0156.0	56.0	10.0
5948AA0112.0	12.0	10.0	5948AA0127.0	27.0	10.0	5948AA0142.0	42.0	10.0	5948AA0157.0	57.0	10.0
5948AA0113.0	13.0	10.0	5948AA0128.0	28.0	10.0	5948AA0143.0	43.0	10.0	5948AA0158.0	58.0	10.0
5948AA0114.0	14.0	10.0	5948AA0129.0	29.0	10.0	5948AA0144.0	44.0	10.0	5948AA0159.0	59.0	10.0
5948AA0115.0	15.0	10.0	5948AA0130.0	30.0	10.0	5948AA0145.0	45.0	10.0	5948AA0160.0	60.0	10.0
5948AA0116.0	16.0	10.0	5948AA0131.0	31.0	10.0	5948AA0146.0	46.0	10.0	5948AA0161.0	61.0	10.0
5948AA0117.0	17.0	10.0	5948AA0132.0	32.0	10.0	5948AA0147.0	47.0	10.0			
5948AA0118.0	18.0	10.0	5948AA0133.0	33.0	10.0	5948AA0148.0	48.0	10.0			
5948AA0119.0	19.0	10.0	5948AA0134.0	34.0	10.0	5948AA0149.0	49.0	10.0			

				TITLE METRIC THREADED SPACERS WITH SNAP-LOCK			
				MATERIAL PA66 HB(UL94)		DATE 24/09/2020	
PART NUMBER SEE TABLE		DRAWING NUMBER 20.09.24.5948.0.E		COLOR BLACK		CHECK	
SIZE A4	SCALE NTS	UNIT mm.	REV A	UNLESS OTHERWISE SPECIFIED TOLERANCE SEE ABOVE		APPROVED	