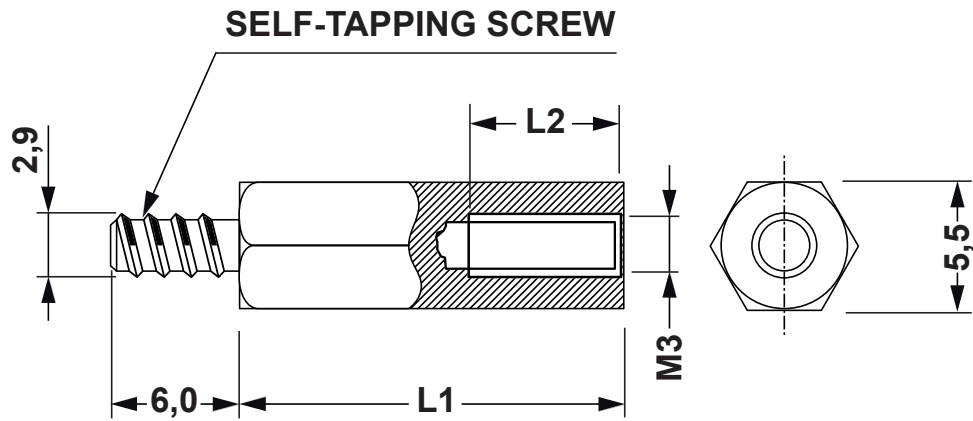


REVISIONS			
REV	DESCRIPTION	DATE	BY



P/N	L1	L2
5943MA9208.0	8.0	5.0
5943MA9210.0	10.0	6.0
5943MA9212.0	12.0	7.0
5943MA9215.0	15.0	10.0
5943MA9220.0	20.0	10.0



TITLE **SELF-TAPPING SPACERS**

MATERIAL **NICKEL-PLATED BRASS** DATE **21/11/2019**

COLOR DRAWN **R.F.**

CHECK

PART NUMBER **SEE TABLE** DRAWING NUMBER **19.11.21.5943.0.E**

SIZE **A4** SCALE **NTS** UNIT **mm.** REV **A**

UNLESS OTHERWISE SPECIFIED TOLERANCE **SEE ABOVE** APPROVED