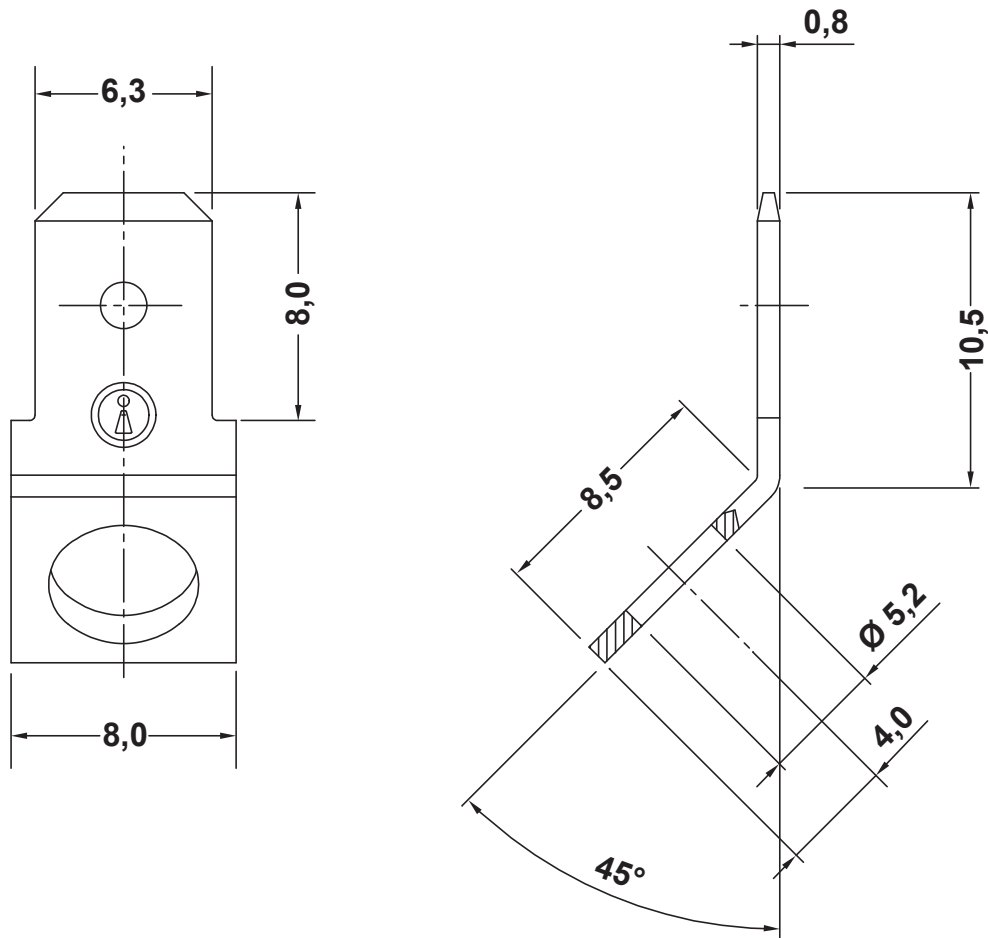



		GENERAL TOLLERANCES													
LINEAR TOLLER.	Dimensions	fino	> 3	> 6	> 10	> 18	> 30	> 50	> 80	> 120	> 180	> 250	> 315	> 400	
		a 3	a 6	a 10	a 18	a 30	a 50	a 80	a 120	a 180	a 250	a 315	a 400	a 500	
	±	0.03	0.04	0.05	0.06	0.07	0.08	0.1	0.11	0.13	0.15	0.16	0.18	0.2	
ISO J13	X ±	0.07	0.09	0.11	0.14	0.17	0.2	0.23	0.27	0.32	0.36	0.4	0.45	0.5	
	±	-	-	0.75	0.9	1.05	1.25	1.5	1.75	2	2.3	2.6	2.85	3.15	
ANG.	±	2°													

REVISIONS			
REV	DESCRIPTION	DATE	BY



		TITLE <b>TAB 45° 6,3 X 0,8 WITH HOLE Ø 4,3</b>	
		MATERIAL TIN-PLATED BRASS	DATE 08/05/2017
PART NUMBER 5573MA91		DRAWING NUMBER 17.05.08.5573.0.E	
TREATMENTS		DRAWN R.F.	
COLOR		CHECK	
SIZE A4	SCALE NTS	UNIT mm.	REV A
UNLESS OTHERWISE SPECIFIED TOLERANCE SEE ABOVE		APPROVED	