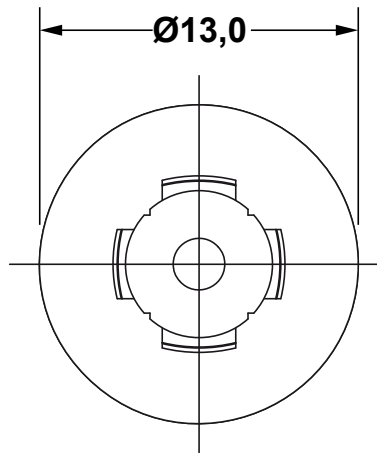
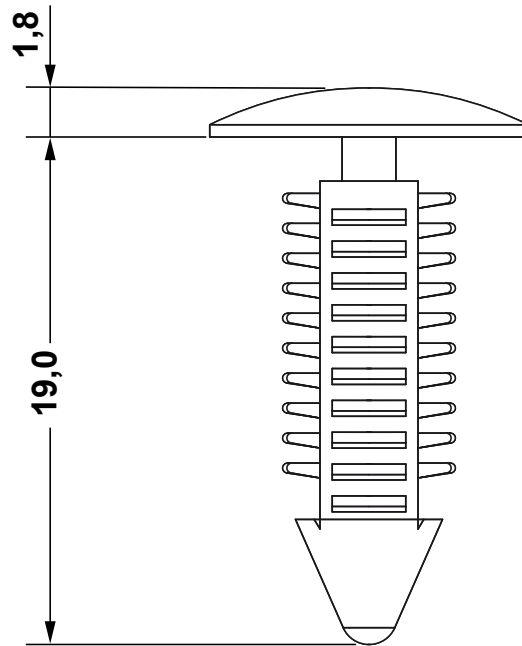



DIM.	TOL
5mm DOWN	±0.2
5~20mm	±0.3
20~40mm	±0.4
40~60mm	±0.5
60~100mm	±0.8
100mm UP	±1.0

REVISIONS			
REV	DESCRIPTION	DATE	BY



**MOUNTING HOLE: Ø 6,5**  
**PANEL THICKNESS: 2,5 -14,0**

				TITLE <b>CLIPS HOLE Ø 6,5</b>	
				MATERIAL PA 66 V2(UL94)	DATE 17/05/2011
PART NUMBER <b>5421AA01</b>				FINISH	DRAWN D.C.
				COLOR BLACK	CHECK
DRAWING NUMBER 11.05.17.5421.0.E		UNLESS OTHERWISE SPECIFIED TOLERANCE SEE ABOVE		APPROVED	
SIZE A4	SCALE NTS	UNIT mm.	REV C		