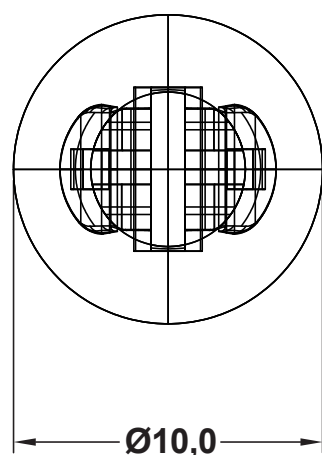
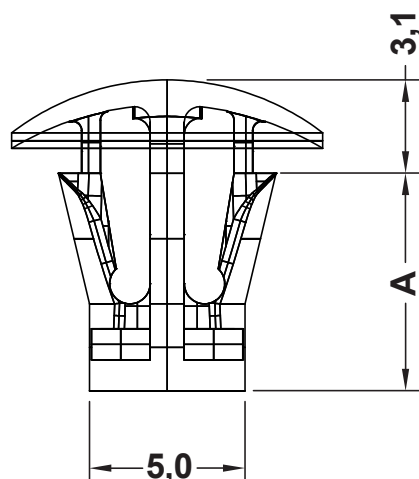


DIM.	TOL.
5mm DOWN	±0.2
5~20mm	±0.3
20~40mm	±0.4
40~60mm	±0.5
60~100mm	±0.8
100mm UP	±1.0

REVISIONS			
REV	DESCRIPTION	DATE	BY



P/N	A
5315AA00	7,0
5316AA00	8,0
5317AA00	10,0
5318AA00	12,0
5319AA00	14,0
5320AA00	16,0
5321AA00	18,0

**MOUNTING HOLE: Ø5,5**  
**THICKNESS: 1,0 - 1,6**



TITLE **REVERSE LOCKING P.C.B. SUPPORT**

MATERIAL PA 6.6 V2(UL94)	DATE 23/01/2019
-----------------------------	--------------------

COLOR NATURAL	DRAWN R.F.
------------------	---------------

UNLESS OTHERWISE SPECIFIED TOLERANCE SEE ABOVE	CHECK
--	-------

APPROVED
----------

PART NUMBER SEE TABLE		DRAWING NUMBER 19.01.23.53XX.0.E	
SIZE A4	SCALE NTS	UNIT mm.	REV A