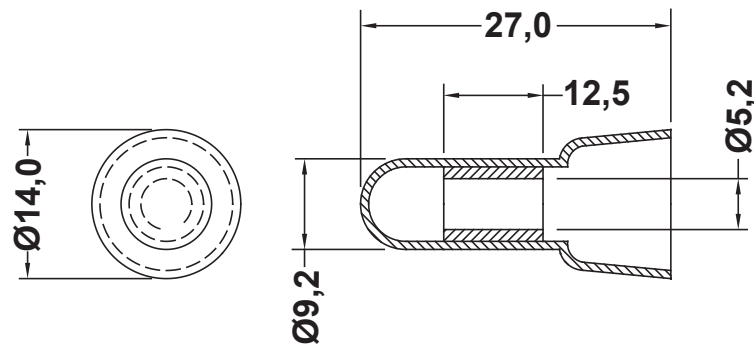


DIM.	TOL.
5mm DOWN	±0.2
5~20mm	±0.3
20~40mm	±0.4
40~60mm	±0.5
60~100mm	±0.8
100mm UP	±1.0



WIRE RANGE 8 AWG / 8,0 mm²

REV.	DESCRIPTION	DATE	TITLE: CLOSE-END CONNECTOR	FILE:	DwN: 01.03.21.5305.E.0	ChkD:
	MATERIAL: PA66 V2(UL94)		Modelled in RHINO 4.0			
	COLOUR: NATURAL		TOLLERANCES UNLESS NOTED	SHEET: 1 OF 1	DT: 21/03/01	Part Number: 5305AA00HS
			SEE ABOVE	SCALE: NTS		