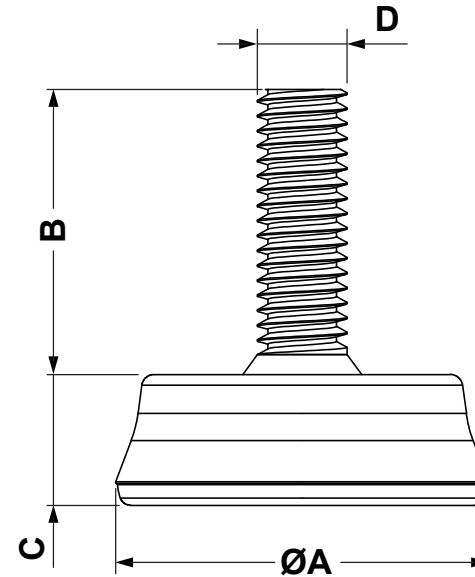


DIM.	TOL
5mm DOWN	±0.2
5~20mm	±0.3
20~40mm	±0.4
40~60mm	±0.5
60~100mm	±0.8
100mm UP	±1.0

REVISIONS			
REV	DESCRIPTION	DATE	BY

P/N	A	B	C	D
5300EA01FS	30,0	22,5	11,0	M8
5322EA01FS	30,0	22,0	11,0	M10
6051EA01FS	40,0	22,0	13,0	M8
6053EA01FS	40,0	22,0	13,0	M10
6054EA01FS	50,0	35,0	17,0	M10
6055EA01FS	50,0	35,0 </tr		



NOTES:

FEET MATERIAL: PE

SCREW MATERIAL: ZINC PLATED IRON

REV.	DESCRIPTION	DATE	TITLE: ADJUSTABLE LEVELING FEET	DWG UNIT: MM
	MATERIAL: SEE ABOVE		<i>Modelled in RHINO 4.0</i> FILE:	DwN: 18.05.22.XXXX.E.0
	COLOUR: BLACK		TOLLERANCES UNLESS NOTED	ChkD:
			SEE ABOVE	Part Number: SEE TABLE
			SHEET: 1 OF 1	DT: 22/05/18
			SCALE: NTS	
			