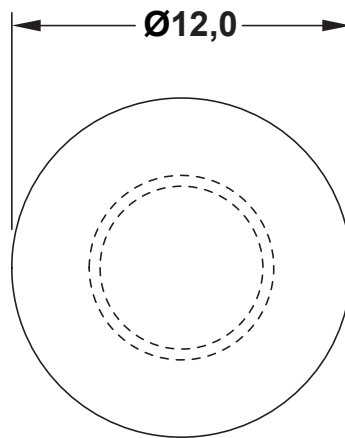
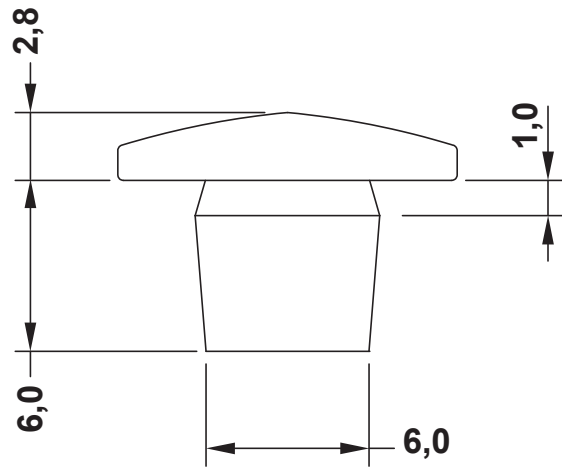


DIM.	TOL.
5mm DOWN	±0.2
5~20mm	±0.3
20~40mm	±0.4
40~60mm	±0.5
60~100mm	±0.8
100mm UP	±1.0

REVISIONS			
REV	DESCRIPTION	DATE	BY



TPE FEET		TITLE	
		MATERIAL	DATE
5214PS01		TPE SHORE 55 A	03/12/2020
DRAWING NUMBER		DRAWN	
20.12.03.5214.0.E		R.F.	
PART NUMBER		CHECK	
5214PS01			
SIZE	SCALE	UNIT	REV
A4	NTS	mm	A
DRAWING NUMBER		APPROVED	
20.12.03.5214.0.E			
COLOR		UNLESS OTHERWISE SPECIFIED TOLERANCE	
BLACK		SEE ABOVE	