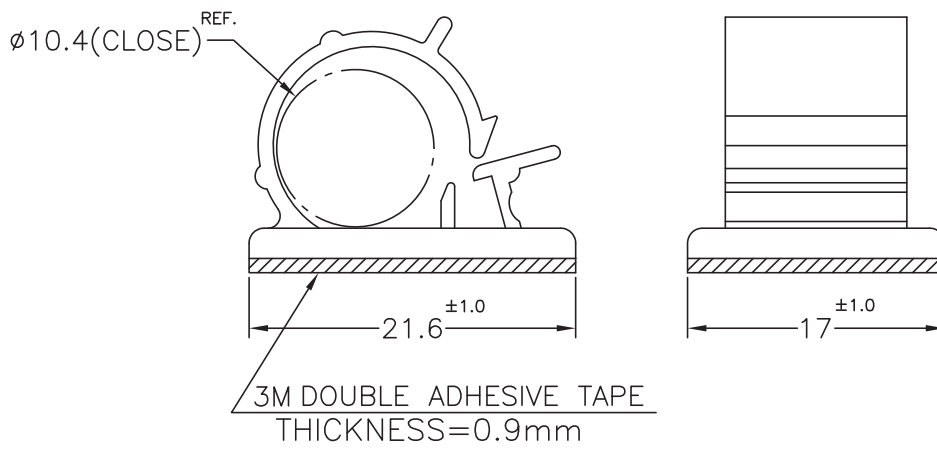


DIM.	TOL
5mm DOWN	±0.2
5~20mm	±0.3
20~40mm	±0.4
40~60mm	±0.5
60~100mm	±0.8
100mm UP	±1.0


REVISIONS			
REV	DESCRIPTION	DATE	BY



NOTE:1. The HEIGHT IS NOT INCLUDED THICKNESS OF ADHESIVE TAPE AND SEPARTE PAPER.

2. THE ADHESIVE TAPE IS CUT BY HAND, IT IS NORMAL IF THERE IS A NOE UNIFIED EDGE.

3. MADE OF EQUIVALENT MATERIAL.

				TITLE SELF ADHESIVE WIRE CLIP-LATERAL CLOSURE			
				MATERIAL PA66 V2 UL94		DATE 17/06/2015	
				FINISH		DRAWN D.C.	
PART NUMBER 4755AA00		DRAWING NUMBER 11.05.17.4755.0.E		COLOR NATURAL		CHECK	
SIZEF A4	SCALE 2:1	UNIT mm.	REV B	UNLESS OTHERWISE SPECIFIED TOLERANCE SEE ABOVE		APPROVED	