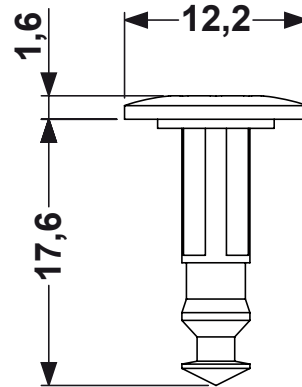
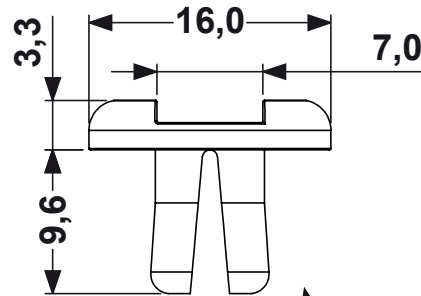


**4731AB01  
PIN**



**4732AA01  
RETAINER**



**PANEL Ø 7,5 - 8,0  
THICKNESS 3,0 ~ 6.5**

	DESCRIPTION		TITLE: <b>REUSABLE RIVETS</b>	DWG UNIT: MM
MATERIAL:	PIN: PA6.6 20% CV / RETAINER:PA66 V2(UL94)		Modelled in RHINO 4.0	FILE:
COLOUR:	BLACK		TOLLERANCES UNLESS NOTED	DwN: 11/07/08
NOTE:	PIN AND RETAINER ARE SUPPLIED UNASSEMBLED		.XX= +/-010	DT: 08.07.11.473X.0.E.
			.XXX= +/-005	ChkD:
			FRAC.=+/- 1/64	Part Number: 4731AB01+4732AA01
			ANG.=+/-1°	
REV.		DATE	SHEET: 1 OF 1	SCALE: NTS