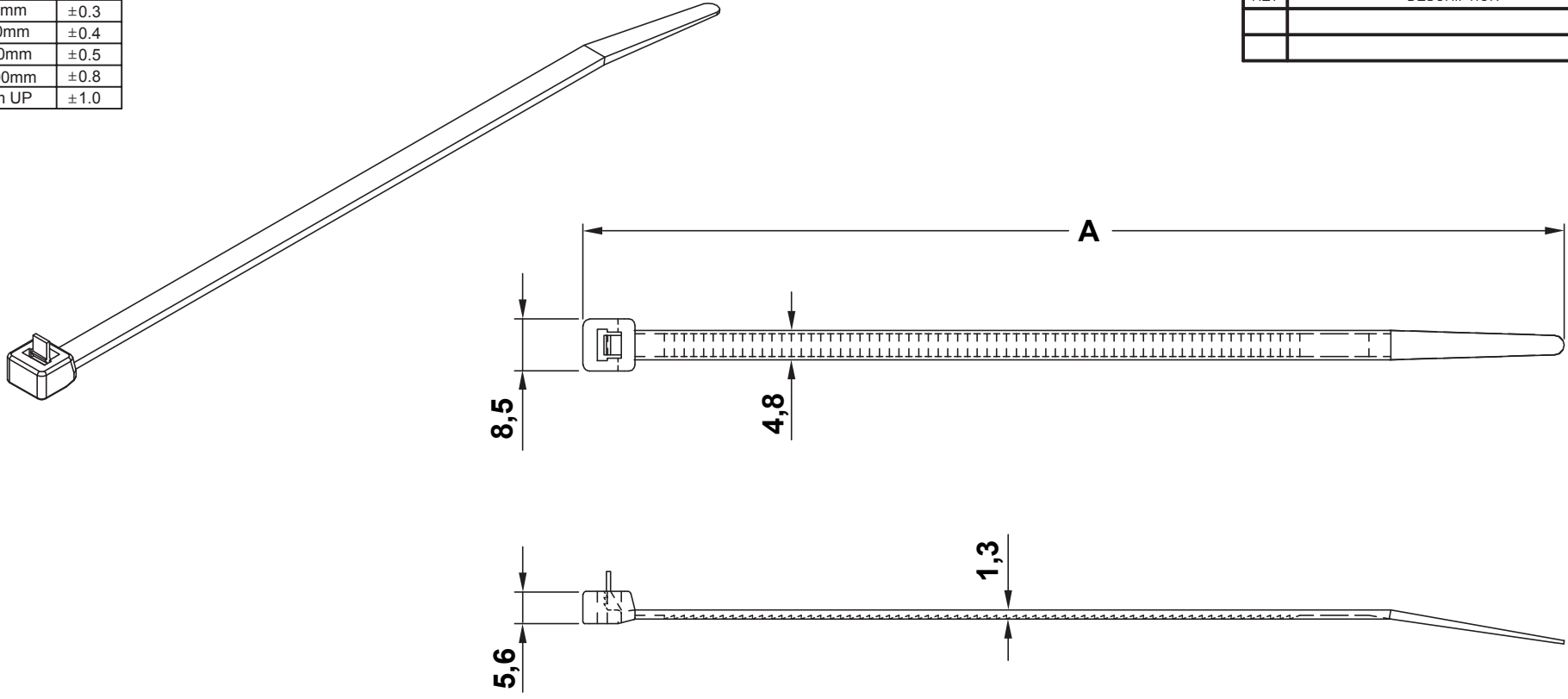


DIM.	TOL.
5mm DOWN	±0.2
5~20mm	±0.3
20~40mm	±0.4
40~60mm	±0.5
60~100mm	±0.8
100mm UP	±1.0

REVISIONS			
REV	DESCRIPTION	DATE	BY



P/N	A	MAX.CABLE Ø
4721AA00	200,0	50,0
4722AA00	300,0	76,0
4723AA00	370,0	102,0

**NOTES:**  
**MIN. LOOP TENSILE STRENGTH (KG): 22,2**

DESCRIPTION		TITLE: <b>RELEASABLE CABLE TIES</b>		DWG UNIT: MM	
MATERIAL: PA 6.6 V2(UL94)		Modelled in RHINO 4.0		FILE: DwN: 19.03.19.472X.E.0	
COLOUR: NATURAL		TOLLERANCES UNLESS NOTED		SHEET: 1 OF 1 DT: 19/03/19	
		SEE ABOVE		SCALE: NTS	
				Part Number: SEE TABLE	
REV.		DATE			