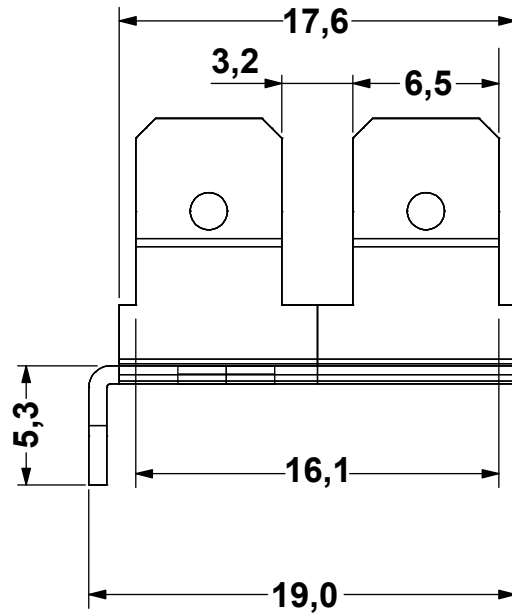
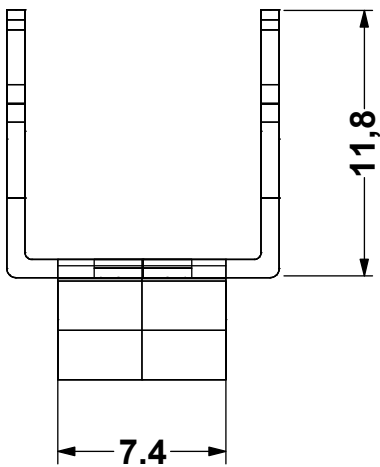
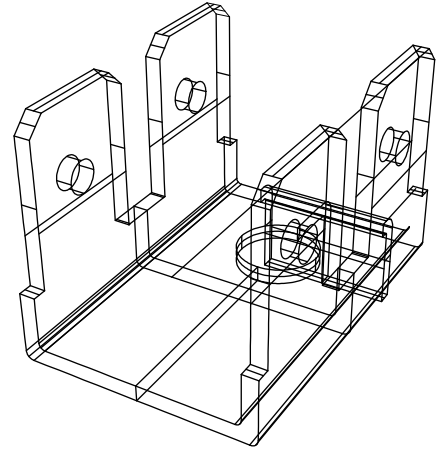
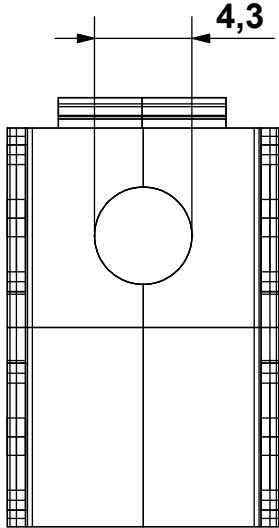


DIM.	TOL.
5mm DOWN	±0.2
5~20mm	±0.3
20~40mm	±0.4
40~60mm	±0.5
60~100mm	±0.8
100mm UP	±1.0

REVISIONS			
REV	DESCRIPTION	DATE	BY



TITLE
GROUND TABS

MATERIAL
GALVANIZED STEEL

DATE
23/07/2018

DRAWN
R.F.

CHECK

APPROVED

PART NUMBER
3780MC94

DRAWING NUMBER
18.07.23.3780.0.E

SIZE
A4

SCALE
NTS

UNIT
mm.

REV
A

UNLESS OTHERWISE SPECIFIED
TOLERANCE
SEE ABOVE