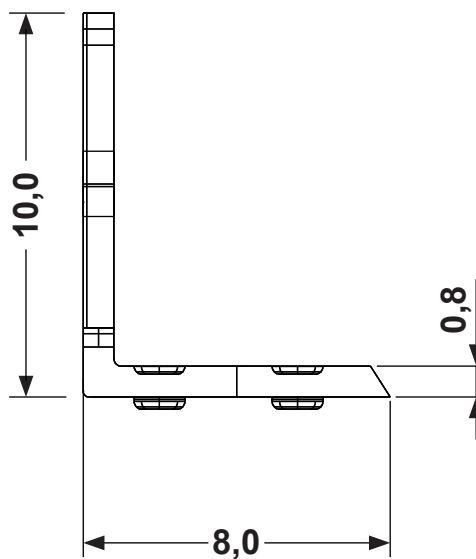
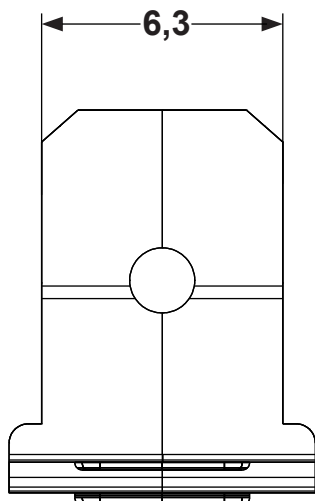
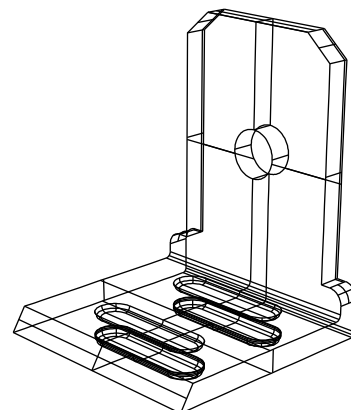
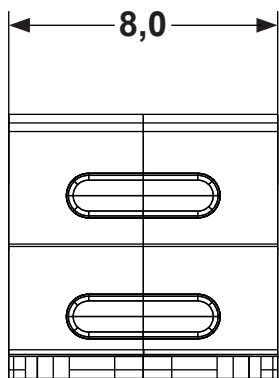


DIM.	TOL.
5mm DOWN	±0.2
5~20mm	±0.3
20~40mm	±0.4
40~60mm	±0.5
60~100mm	±0.8
100mm UP	±1.0

REVISIONS			
REV	DESCRIPTION	DATE	BY



TITLE
WELDABLE TABS

MATERIAL
Fe DC 01 IRON

DATE
28/05/2018

FINISHING
NICKEL PLATED

DRAWN
R.F.

PART NUMBER
3675MC92

DRAWING NUMBER
18.05.28.3675.0.E

CHECK

SIZE
A4

SCALE
NTS

UNIT
mm.

REV
A

UNLESS OTHERWISE SPECIFIED
TOLERANCE
SEE ABOVE

APPROVED