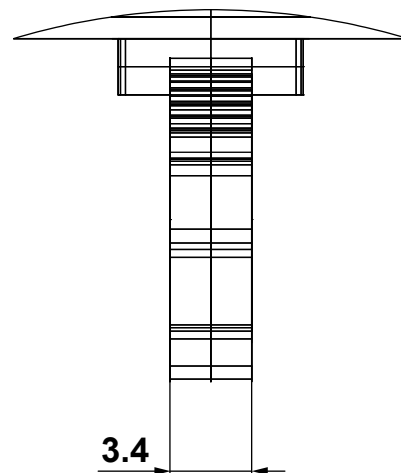
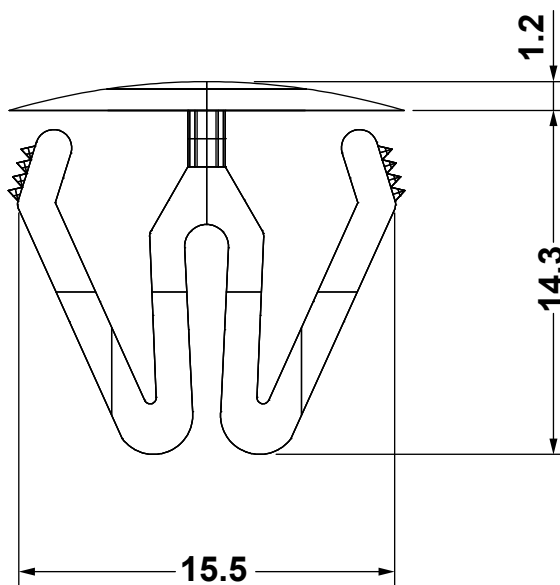
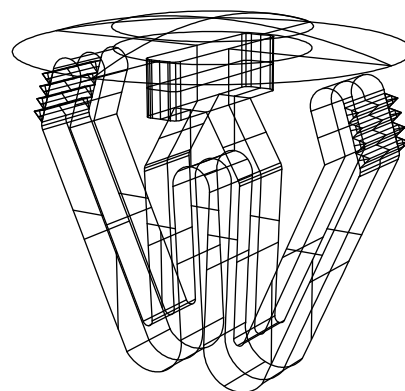
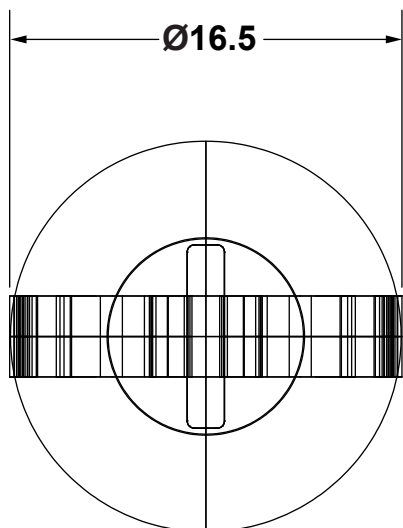


DIM.	TOL.
5mm DOWN	±0.2
5~20mm	±0.3
20~40mm	±0.4
40~60mm	±0.5
60~100mm	±0.8
100mm UP	±1.0

REVISIONS			
REV	DESCRIPTION	DATE	BY



**MOUNTING HOLE: Ø8,5 - 14,5**  
**THICKNESS: 0,8 - 2,0**



TITLE <b>PLUGS FOR VARIABLE SIZE HOLES</b>	
MATERIAL PA 6.6 V2(UL94)	DATE 10/09/2018
	DRAWN R.F.
COLOR BLACK	CHECK
UNLESS OTHERWISE SPECIFIED TOLERANCE SEE ABOVE	APPROVED

PART NUMBER 3584AA01		DRAWING NUMBER 18.09.10.3584.0.E	
SIZE A4	SCALE NTS	UNIT mm.	REV A