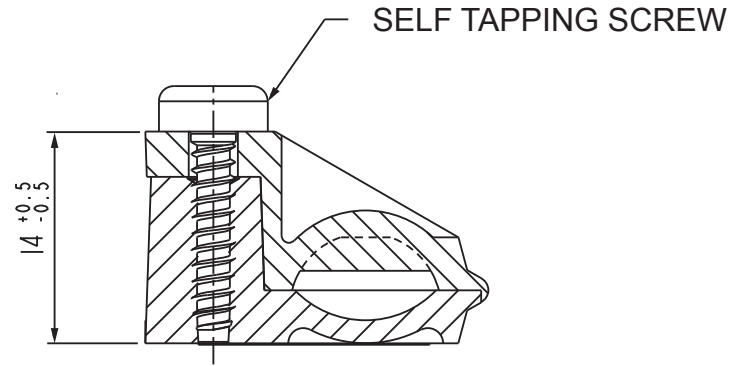
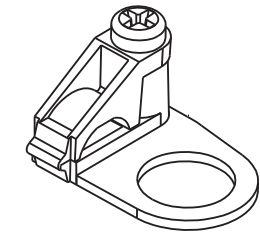
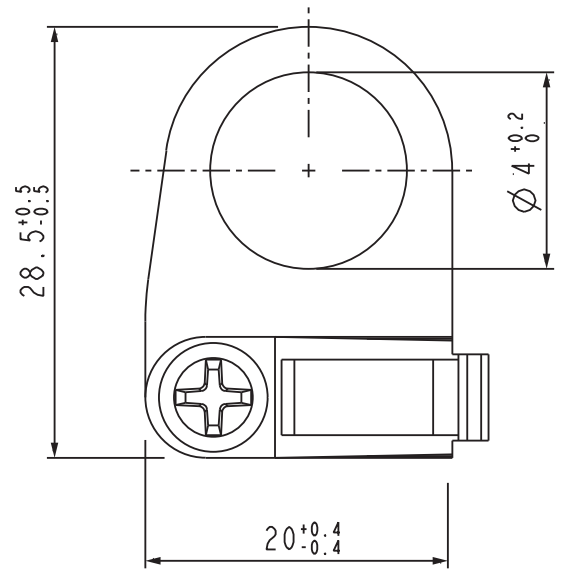
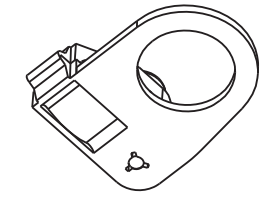


DIM.	TOL.
5mm DOWN	±0.2
5~20mm	±0.3
20~40mm	±0.4
40~60mm	±0.5
60~100mm	±0.8
100mm UP	±1.0



SELF TAPPING SCREW

SCALE 1.000



H03VVII2-F

THIS PART FITS WIRE H03VVH2-F (Min 3.4 X 5.2 / Max 3.9 X 6.4)

REV.	DESCRIPTION	DATE	TITLE: CABLE CLAMP	DWG UNIT: MM
	MATERIAL: PA6.6 V2(UL94)		Modelled in RHINO 4.0	FILE:
	COLOUR: BLACK		TOLLERANCES	DwN: 11/05/09
			SEE ABOVE	DT: 09.05.11.3285.E.0
			SHEET: 1 OF 1	ChkD:
			SCALE: NTS	Part Number: 3285AA01
			