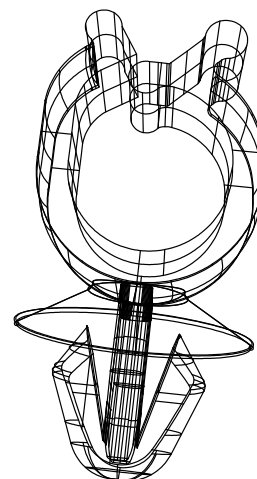
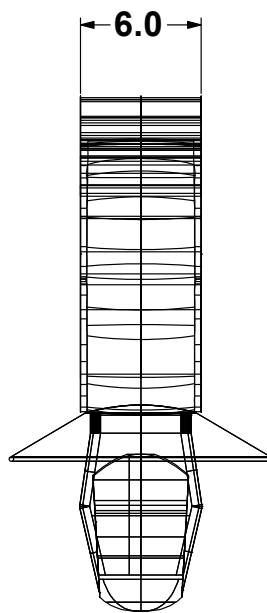
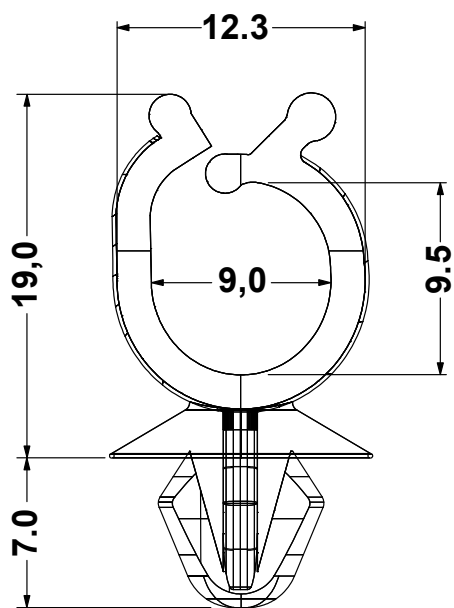


DIM.	TOL.
5mm DOWN	±0.2
5~20mm	±0.3
20~40mm	±0.4
40~60mm	±0.5
60~100mm	±0.8
100mm UP	±1.0

REVISIONS			
REV	DESCRIPTION	DATE	BY



MOUNTING HOLE: Ø7,0

THICKNESS: 0,8 - 2,0



TITLE **WIRE AND PIPE CLIPS - TOP OPENING**

MATERIAL PA 66 V2(UL94)	DATE 27/11/2018
----------------------------	--------------------

COLOR NATURAL	DRAWN R.F.
------------------	---------------

UNLESS OTHERWISE SPECIFIED TOLERANCE SEE ABOVE	CHECK APPROVED
---	-------------------

PART NUMBER 2476AA00		DRAWING NUMBER 18.11.27.2476.0.E	
SIZE A4	SCALE NTS	UNIT mm.	REV A