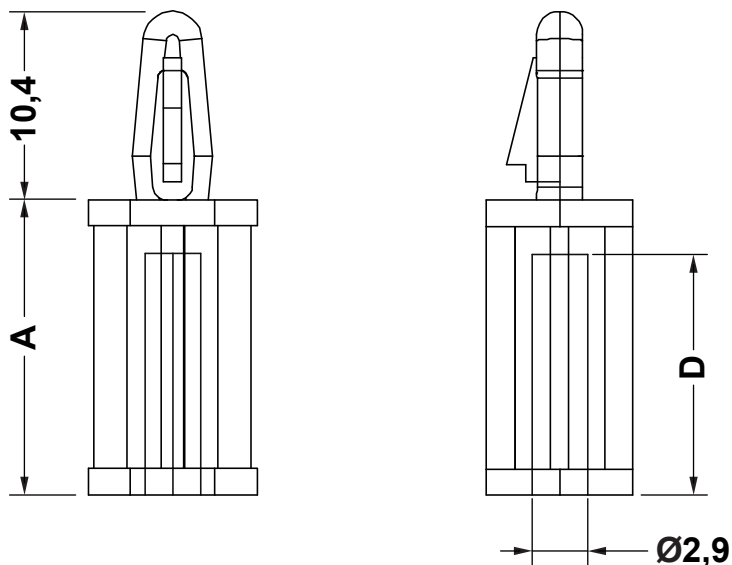
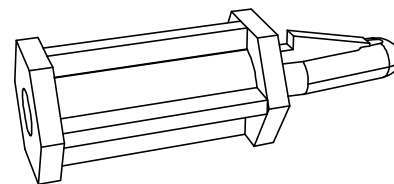
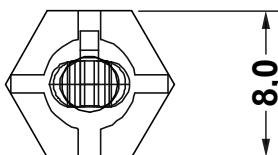


DIM.	TOL.
5mm DOWN	±0.2
5~20mm	±0.3
20~40mm	±0.4
40~60mm	±0.5
60~100mm	±0.8
100mm UP	±1.0

REVISIONS			
REV	DESCRIPTION	DATE	BY



**MOUNTING HOLE: Ø4,0**  
**PANEL THICKNESS: 1,2 - 1,7**

P/N	A	D
2460AA00	6,4	4,8
2461AA00	9,6	8,0
2462AA00	12,7	11,0
2463AA00	15,9	13,0
2464AA00	19,2	16,2
2465AA00	22,4	19,4
2466AA00	25,5	24,0
2467AA00	29,0	25,9



**TITLE**  
**SCREW FIXING P.C.B. SPACERS**

MATERIAL PA 6.6 V2(UL94)	DATE 20/09/2018
COLOR NATURAL	DRAWN R.F.
UNLESS OTHERWISE SPECIFIED TOLERANCE SEE ABOVE	CHECK APPROVED

PART NUMBER SEE TABLE	DRAWING NUMBER 18.09.20.246X.0.E
SIZE A4	SCALE NTS
UNIT mm.	REV A