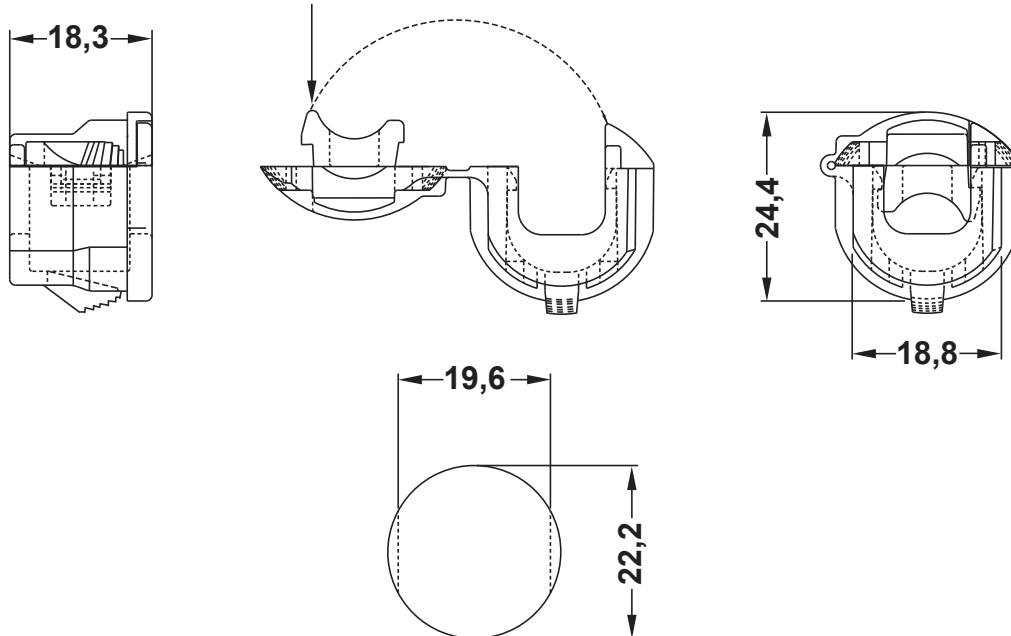


DIM.	TOL.
5mm DOWN	±0.2
5~20mm	±0.3
20~40mm	±0.4
40~60mm	±0.5
60~100mm	±0.8
100mm UP	±1.0

REVISIONS			
REV	DESCRIPTION	DATE	BY

Locking Tab varies with Cable Sizes



MOUNTING HOLE

P/N	APPROX. CABLE DIAMETER	THICKNESS
22103AA01	Ø 7,4 - 9,8	Ø 0,8 - 4,0
22104AA01	Ø 7,4 - 9,8	Ø 0,8 - 4,0
22105AA01	Ø 8,6 - 10,9	Ø 0,8 - 4,0
22106AA01	Ø 8,6 - 10,9	Ø 0,8 - 4,0
22107AA01	Ø 10,8 - 12,1	Ø 0,8 - 4,0
22108AA01	Ø 10,8 - 12,1	Ø 0,8 - 4,0



TITLE
CABLE CLAMPS

MATERIAL	PA66 V2 (UL94)	DATE	31/05/2017
		DRAWN	R.F.
COLOR	BLACK	CHECK	
UNLESS OTHERWISE SPECIFIED TOLERANCE	SEE ABOVE	APPROVED	

PART NUMBER		DRAWING NUMBER	
SEE TABLE		17.05.31.2210X.0.E	
SIZE	SCALE	UNIT	REV
A4	NTS	mm.	A