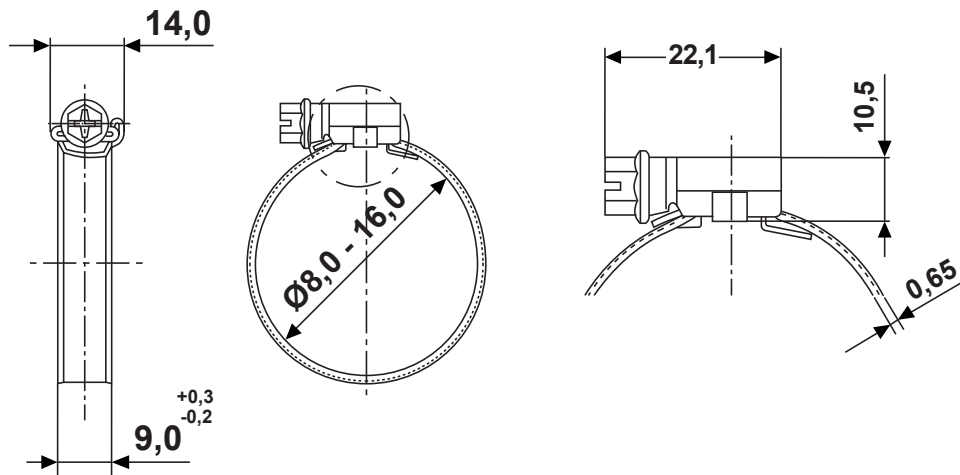



REVISIONS			
REV	DESCRIPTION	DATE	BY



MATERIAL:
MATERIAL SCREW: STEEL ZINC PLATED
MATERIAL BAND AND HOUSING: STAINLESS STEEL

NOTES:
VALUES TORQUE (Nm): 3,0
 The maximum application pressure can vary depending on the type of hose used and the geometry of the coupling.
PRESSURE (Bar) Max. Values: 45

				TITLE HOSE CLAMP "L" WORM DRIVE CLIP W2	
				MATERIAL SEE ABOVE	
PART NUMBER 20701MD90				DRAWING NUMBER 20.11.10.20701.0.E	
FINISH				CHECK	
SIZE A4	SCALE NTS	UNIT mm.	REV A	UNLESS OTHERWISE SPECIFIED TOLERANCE SEE ABOVE	
				APPROVED	