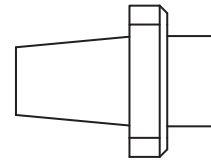
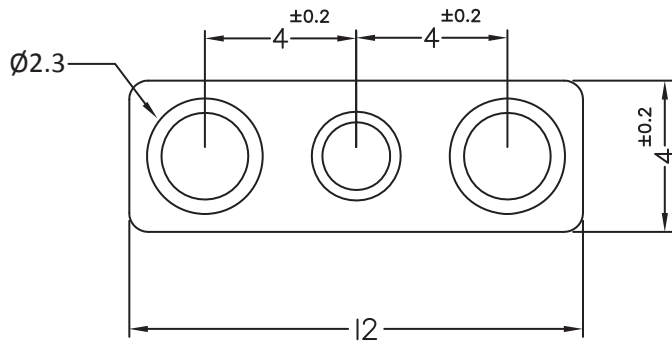
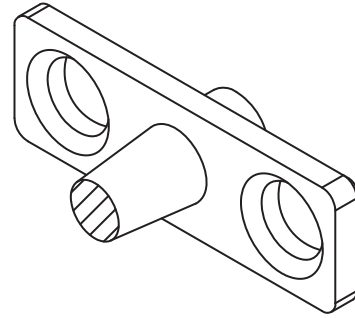
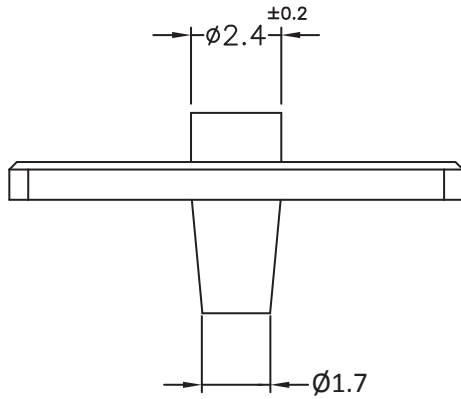


DIM.	TOL.
5mm DOWN	±0.2
5~20mm	±0.3
20~40mm	±0.4
40~60mm	±0.5
60~100mm	±0.8
100mm UP	±1.0

REVISIONS			
REV	DESCRIPTION	DATE	BY



NOTE:MADE OF EQUIVALENT MATERIAL.



TITLE LIGHT PIPE		MATERIAL PC UL94V-0		DATE 13/05/2016	
		ADESIVO		DRAWN R.F.	
PART NUMBER 14014NV00		DRAWING NUMBER 16.05.13.14014.0.E		COLOR TRANSPARENT	
SIZE A4		SCALE 5:1		UNIT mm	
REV A		UNLESS OTHERWISE SPECIFIED TOLERANCE SEE ABOVE		CHECK APPROVED	