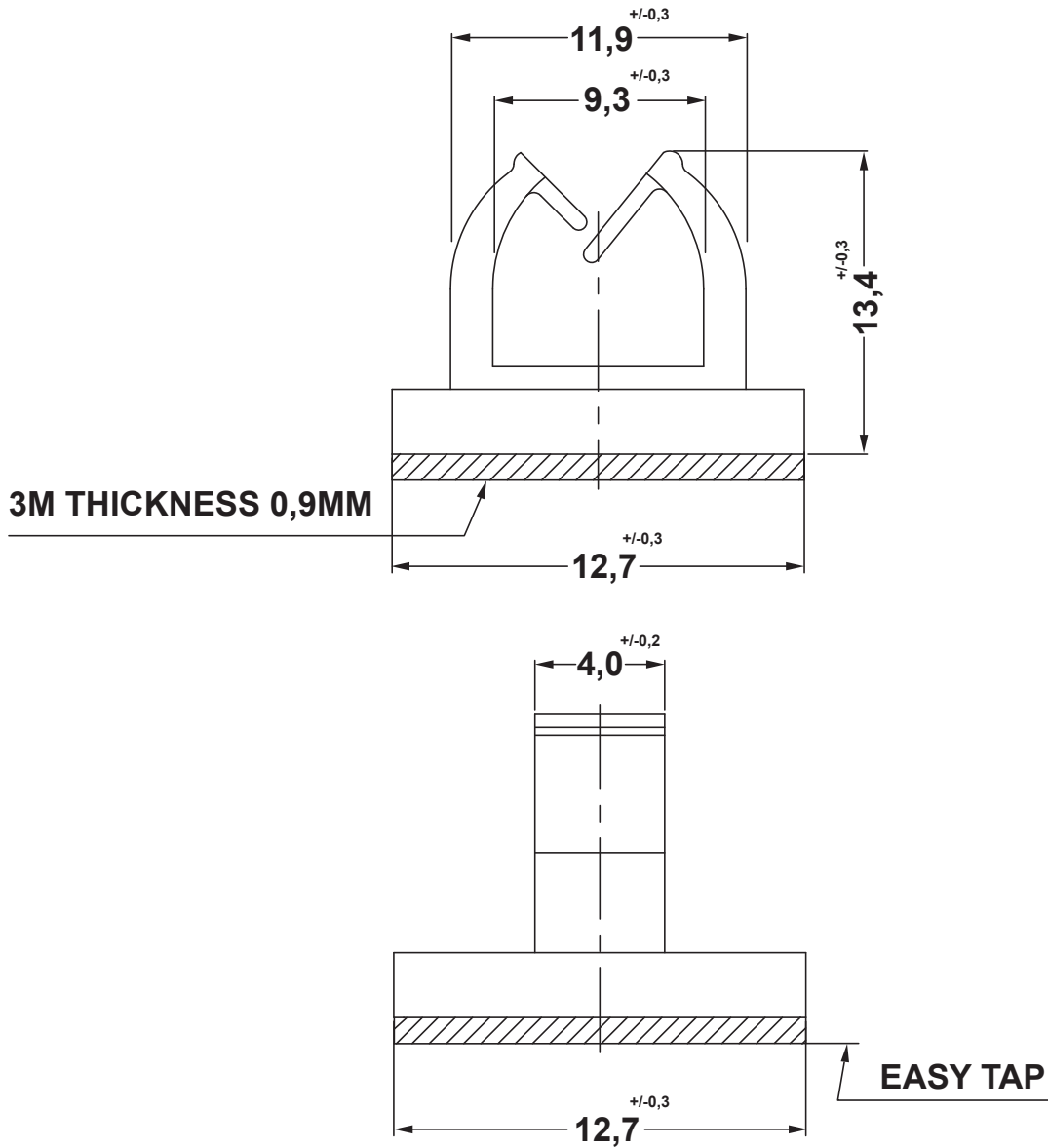



REVISIONS			
REV	DESCRIPTION	DATE	BY



				TITLE <b>SELF-ADHESIVE WIRE CLIPS</b>	
				MATERIAL PA6.6 V2 (UL94)	
PART NUMBER 13135AA00AS				DRAWING NUMBER 19.07.08.13135.0.E	
COLOR NATURAL				DRAWN S.W.	
SIZE A4				SCALE NTS	
UNIT mm.		REV A		CHECK	
UNLESS OTHERWISE SPECIFIED TOLERANCE SEE ABOVE				APPROVED	