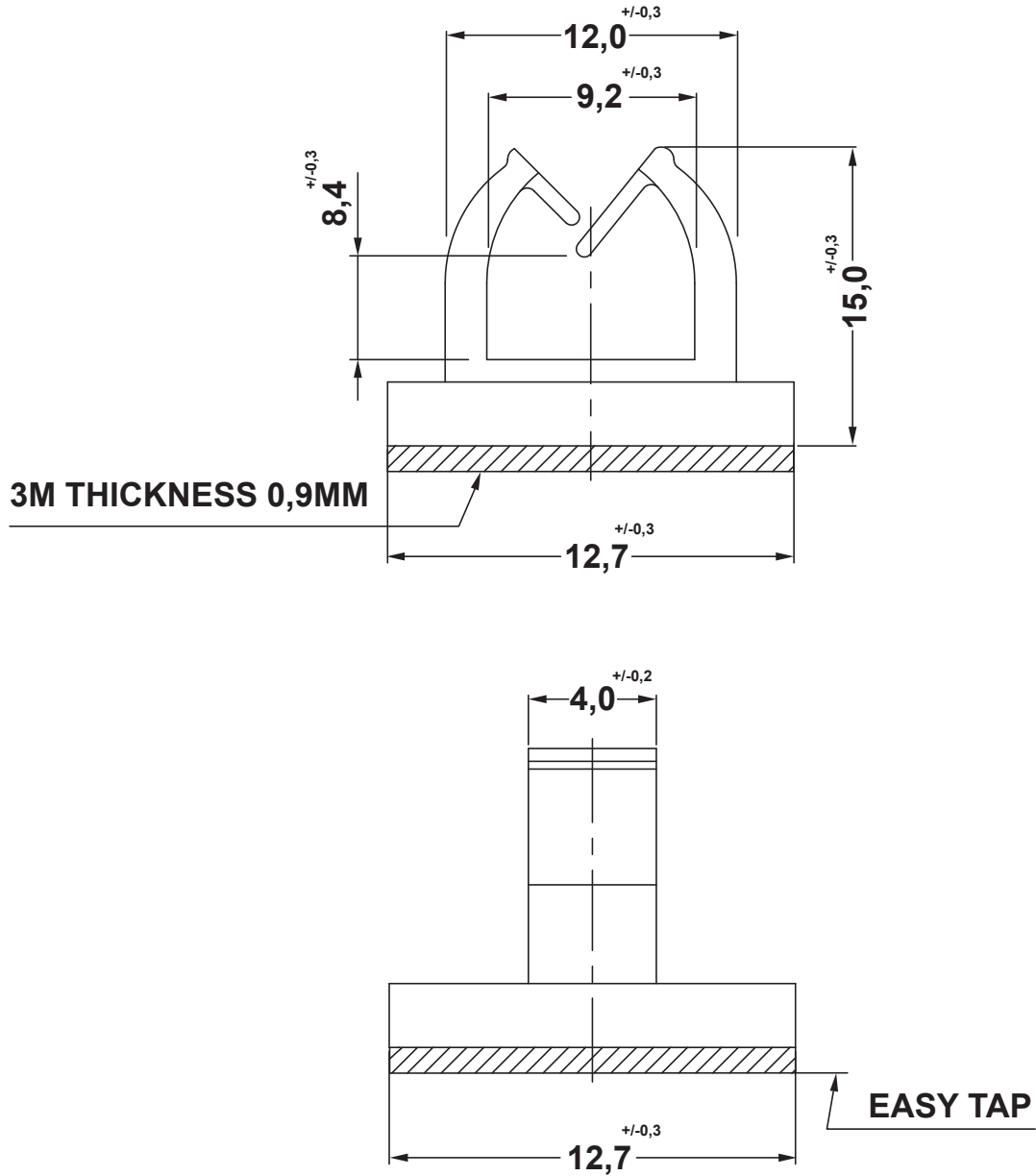



REVISIONS			
REV	DESCRIPTION	DATE	BY



				TITLE <b>SELF-ADHESIVE WIRE CLIPS</b>	
				MATERIAL PA6.6 V2 (UL94)	
PART NUMBER 13134AA00AS		DRAWING NUMBER 19.07.08.13134.0.E		DRAWN S.W.	
SIZE A4		SCALE NTS		CHECK	
UNIT mm.		REV A		APPROVED	
UNLESS OTHERWISE SPECIFIED TOLERANCE				SEE ABOVE	