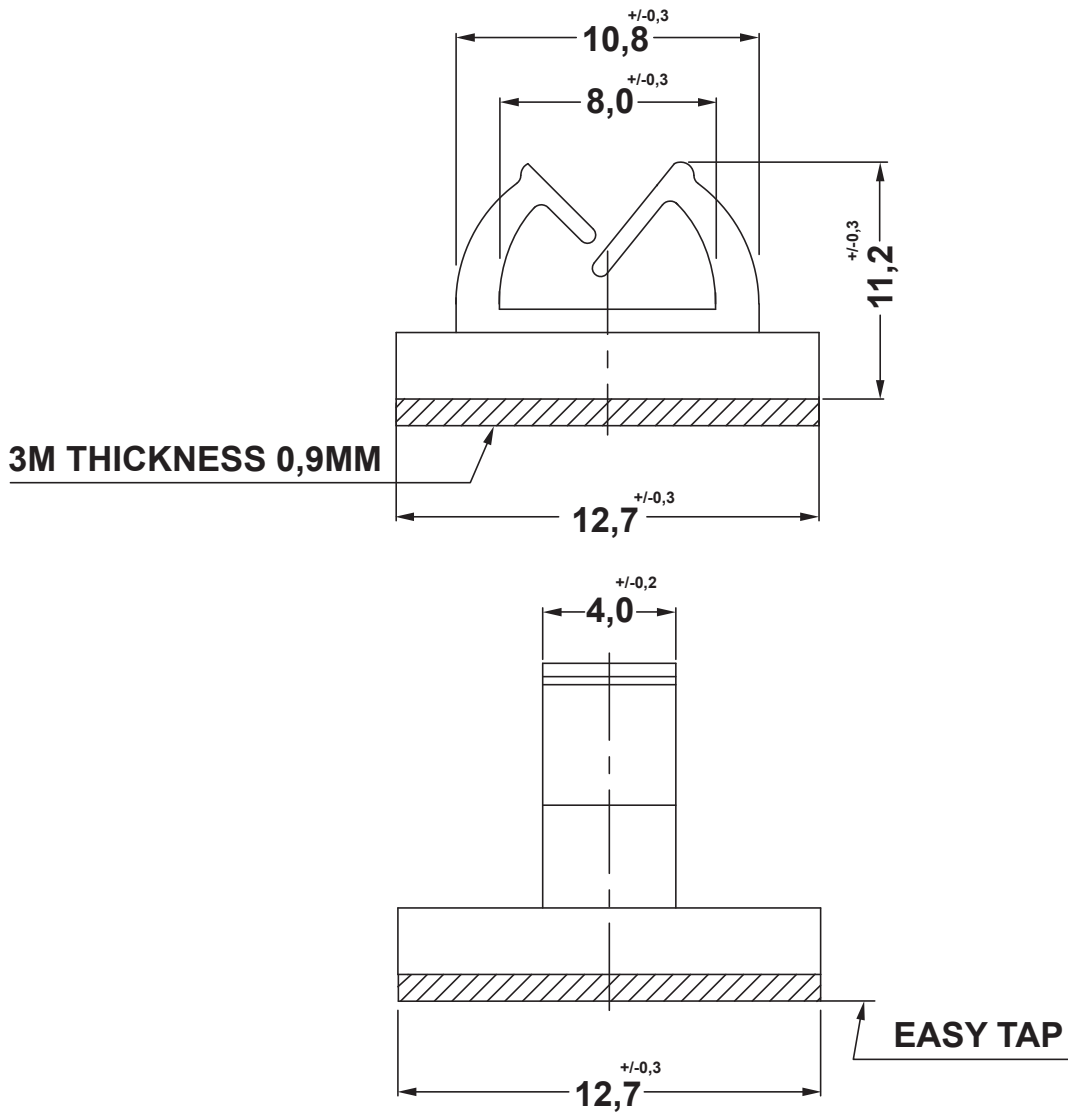



REVISIONS			
REV	DESCRIPTION	DATE	BY



				TITLE <b>SELF-ADHESIVE WIRE CLIPS</b>	
				MATERIAL PA6.6 V2 (UL94)	DATE 08/07/2019
PART NUMBER 13133AA00AS				DRAWING NUMBER 19.07.08.13133.0.E	
DRAWING NUMBER 19.07.08.13133.0.E				DRAWN S.W.	
DRAWING NUMBER 19.07.08.13133.0.E				CHECK	
DRAWING NUMBER 19.07.08.13133.0.E				APPROVED	
SIZE A4	SCALE NTS	UNIT mm.	REV A	UNLESS OTHERWISE SPECIFIED TOLERANCE SEE ABOVE	