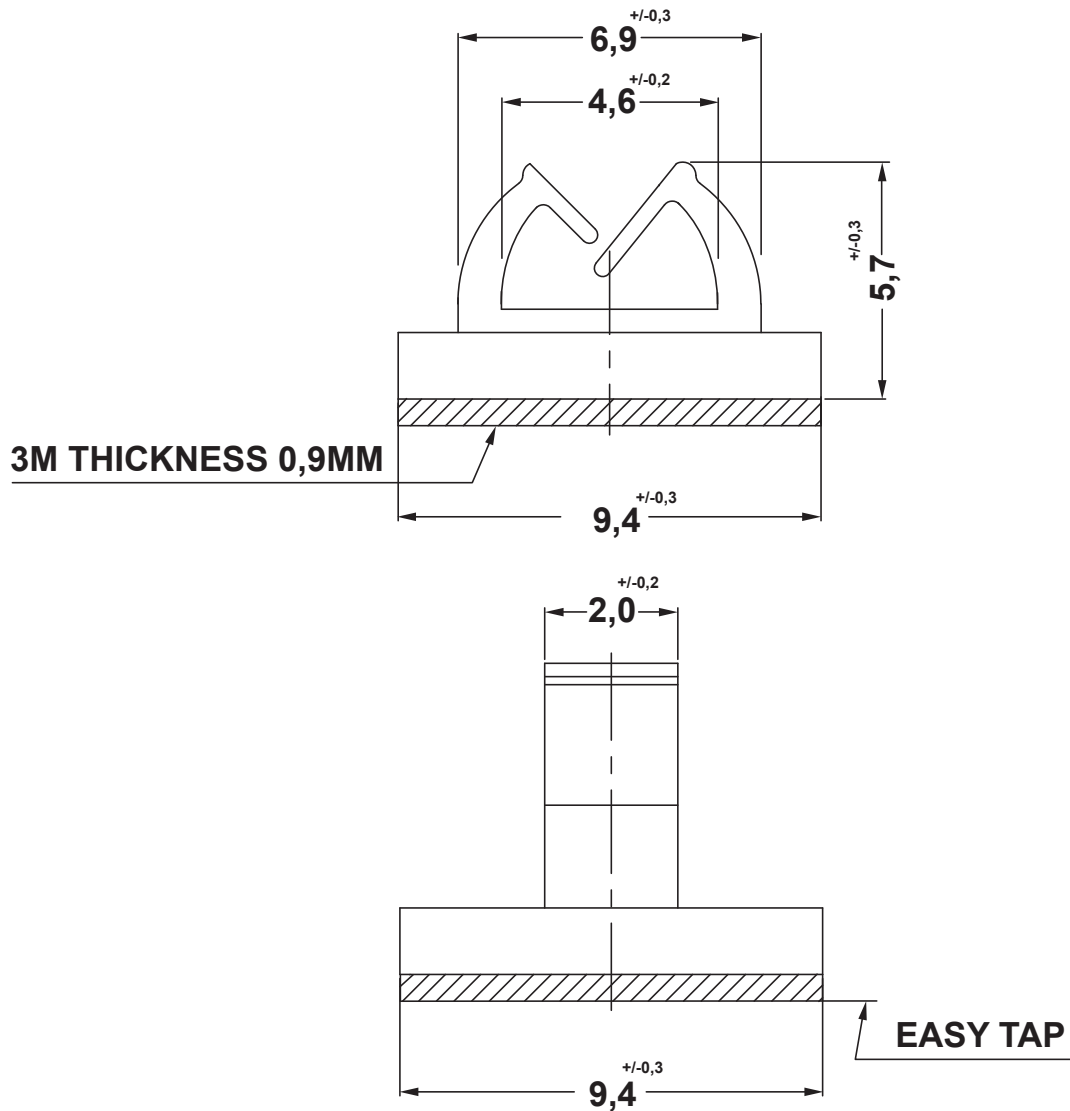



DIM.	TOL.
5mm DOWN	±0.2
5~20mm	±0.3
20~40mm	±0.4
40~60mm	±0.5
60~100mm	±0.8
100mm UP	±1.0

REVISIONS			
REV	DESCRIPTION	DATE	BY



- NOTE: 1. THE PRODUCT SIZE IS NOT INCLUDED THE SIZES OF ADHESIVE TAPE AND ITS LINER.
 2. IT IS HAND-CUT ADHESIVE TAPE, SO CAN NOT PERFECTLY STICK EVENLY. IT IS POSSIBLE TO HAVE SOME PORTION EXPOSED OR SHRINKING INWARD. THIS IS A NORMAL PHENOMENON.
 3. SHRINKING IS NORMAL STATUS.
 4. MADE OF EQUIVALENT MATERIAL.

				TITLE SELF-ADHESIVE WIRE CLIPS	
				MATERIAL PA6.6 V2 (UL94)	DATE 08/07/2019
PART NUMBER 12918AA00AS				DRAWN S.W.	
DRAWING NUMBER 19.07.08.12918.0.E				CHECK	
COLOR NATURAL				APPROVED	
SIZE A4	SCALE NTS	UNIT mm.	REV A	UNLESS OTHERWISE SPECIFIED TOLERANCE SEE ABOVE	